

HIGH VOLTAGE SWITCH DATA SHEET
(HVLBS)

DATE : 08/15/2022
 CUSTOMER : HVES
 SUB. : Switch 14A
 FEEDER :
 MFR. : Federal Pacific
 M/N Type : PSI/II-5-42112-A3-B1-B2-G1-G2-K3 (PMH-5)
 S/N : J29754

INTERRUPTING CAPACITY : 40kA
 kV RATING : 15kV
 AMPERAGE : 600
 BIL : 95kV
 DUTY CYCLE : 40kA
 FUSES : SMU-20 80E
 PUB. / I.B. :

ENVIRONMENT Indoor Outdoor Dry Wet Damp Clean Dirty

VISUAL INSPECTION

	<u>SATISFACTORY</u>	<u>UNSATISFACTORY</u>	<u>CORRECTED</u>
1. Inspect insulators for breaks, cracks or burns.	<input checked="" type="checkbox"/>	<input type="checkbox"/>	<input type="checkbox"/>
2. Inspect contacts for alignment, pressure, burns or corrosion.	<input checked="" type="checkbox"/>	<input type="checkbox"/>	<input type="checkbox"/>
3. Check for proper lubrication, wipes, gaps and clearances. Check blade lock or latch.	<input checked="" type="checkbox"/>	<input type="checkbox"/>	<input type="checkbox"/>
4. Inspect inter-phase mechanical linkages, operating rods, levers, bearings for adjustment, lubrication, tightness or damage.	<input checked="" type="checkbox"/>	<input type="checkbox"/>	<input type="checkbox"/>
5. Check that ground straps and ground slip rings have good contact.	<input checked="" type="checkbox"/>	<input type="checkbox"/>	<input type="checkbox"/>
6. Inspect overall switch including controls and indicators for good working condition.	<input checked="" type="checkbox"/>	<input type="checkbox"/>	<input type="checkbox"/>

7. **CLOSED CONTACT RESISTANCE (DUCTER) TESTS** at : 100 Amps

Measured in Milliohms Micro-ohms

	<u>SATISFACTORY</u>	<u>UNSATISFACTORY</u>	<u>CORRECTION REQUIRED</u>
Phase A : 38.47	<input checked="" type="checkbox"/>	<input type="checkbox"/>	<input type="checkbox"/>
Phase B : 39.25	<input checked="" type="checkbox"/>	<input type="checkbox"/>	<input type="checkbox"/>
Phase C : 38.76	<input checked="" type="checkbox"/>	<input type="checkbox"/>	<input type="checkbox"/>

8. **MEGGER TESTS** Measured in Megaohms at: 5000 VDC

<u>Primary</u>		<u>Secondary</u>	
Phase A :	100k M-Ohms	Phase A :	100k M-Ohms
Phase B :	100k M-Ohms	Phase B :	100k M-Ohms
Phase C :	100k M-Ohms	Phase C :	100k M-Ohms
A - B :	100k M-Ohms	A - B :	100k M-Ohms
B - C :	100k M-Ohms	B - C :	100k M-Ohms
C - A :	100k M-Ohms	C - A :	100k M-Ohms

COMMENTS

Tag #11510
 Date of Manufacture 04/2022
 One Switch/One Fuse Bay
 Fuse Bay SMU-20 0-200A Standard Speed
 08/15/2022 Switch tested.

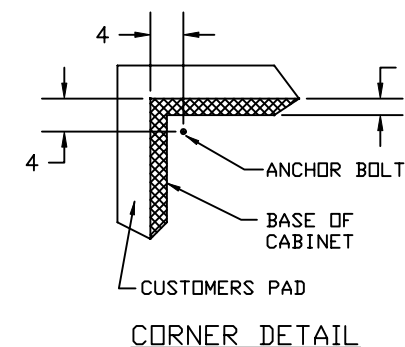
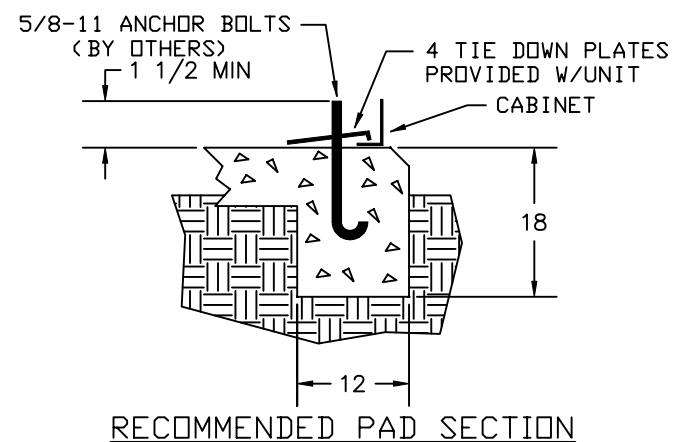
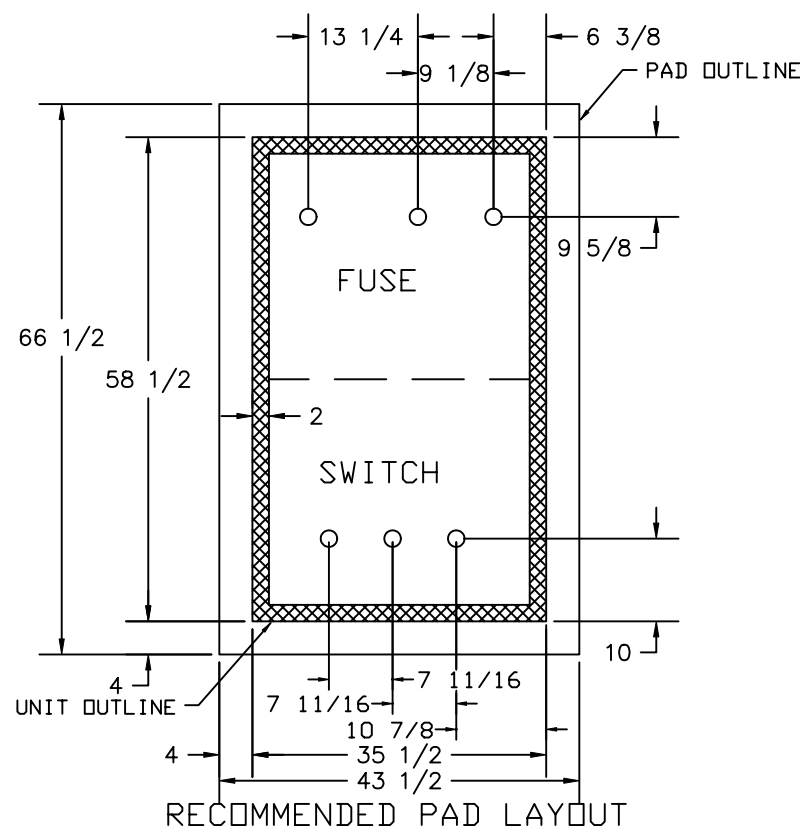
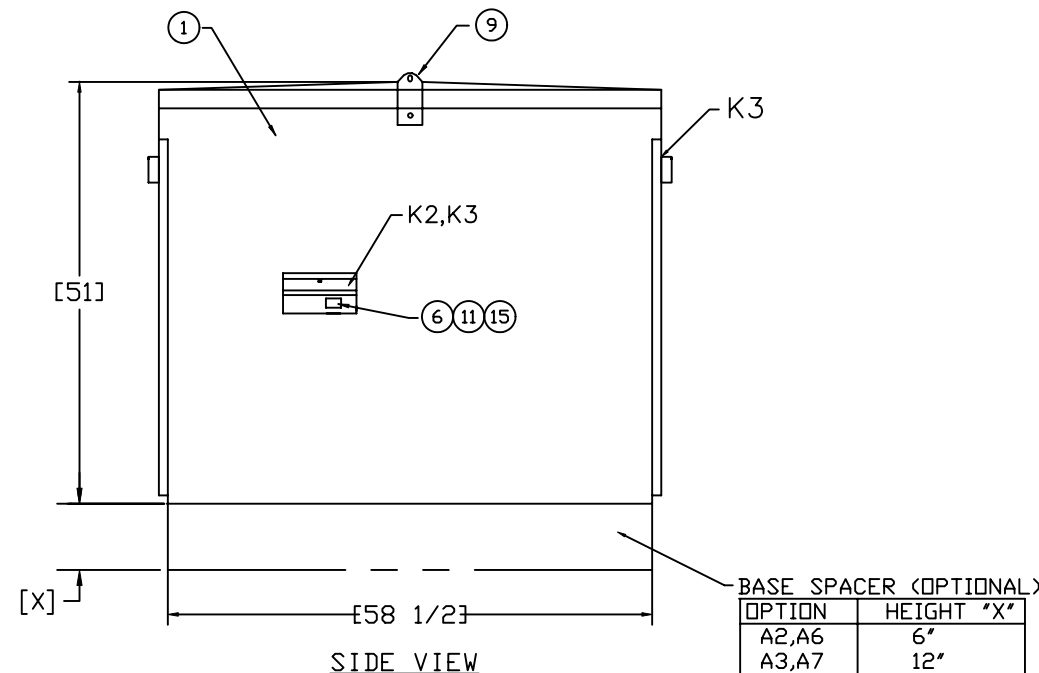
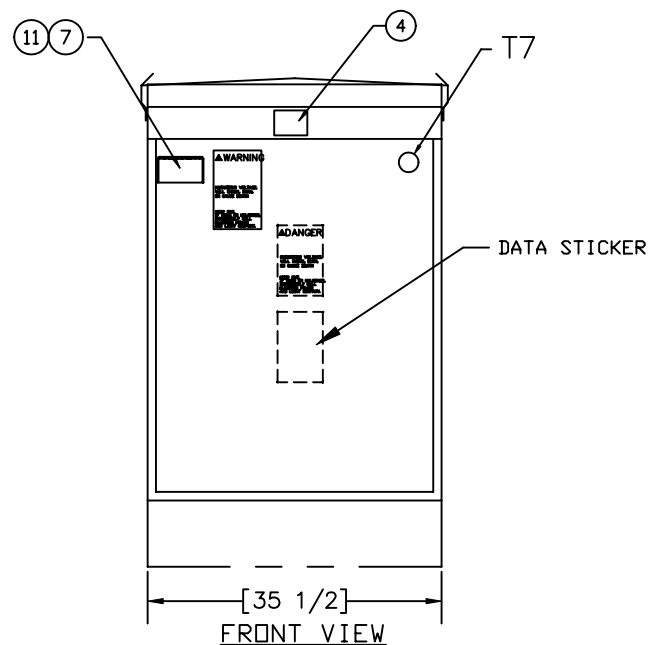
STANDARD COMPONENTS (UNLESS OTHERWISE NOTED)

THIS DOCUMENT CONTAINS PROPRIETARY INFORMATION OF ELECTRO MECHANICAL CORP. OR ITS OPERATING DIVISIONS IN WHOM TITLE REMAINS. ANY REPRODUCTION, DISTRIBUTION, DIS-CLOSURE OR USE NOT OTHERWISE EXPRESSLY APPROVED IN WRITING IS STRICTLY PROHIBITED.

DATE	SYM.	REVISION RECORD	AUTH.	DR.	CK.
050594	E	ADDED BASE SPACER ON SHEET 2 OF 2		MNT	
121696	F	REVISED CIR. DIAGRAM FROM 3,2,1 TO 1,2,3		MA	
051998	G	UPDATED TO FPC MFG STANDARDS	--	PDG	RGN

- 1) ENCLOSURE, 11 GA. MILD STEEL, PADMOUNT GREEN.
- 2) NEMA GRADE GPO-3 BARRIERS, SWITCH AND FUSE.
- 3) NEMA 2 HOLE GALVANIZED GROUND PADS.
- 4) NAMEPLATE
- 5) PHASE IDENTIFICATION LABELS.
- 6) SWITCH POSITION INDICATOR.
- 7) PENTA-HEAD SECURITY BOLT.
- 8) 600 AMP ALUMINUM BUS BAR.
- 9) REMOVABLE LIFT BRACKETS.
- 10) SWITCH VIEWING WINDOW.
- 11) PADLOCK PROVISIONS.
- 12) INSTRUCTION POCKET.
- 13) EPOXY INSULATORS.
- 14) "DANGER" INTERIOR & "WARNING" EXTERIOR SIGNS
- 15) REMOVABLE OPERATION HANDLE.
- 16) APPROXIMATE WEIGHT: 875 LBS.
- 17) ACTIVE DOOR HAS 3 POINT LATCHING, CONCEALED STAINLESS STEEL HINGES AND PINS, PROVISIONS FOR PADLOCKING, PENTA HEAD SECURITY BOLT AND 105° DOOR STOP.
- 18) ROOF IS CROSS-KINKED TO SHED WATER. ANTI-CONDENSATE IS APPLIED TO UNDERSIDE OF ROOF TO REDUCE MOISTURE BUILD-UP.
- 19) PROTECTIVE GASKET FOR BASE OF UNIT IS 1/2 X 1 1/2 CLOSED CELL TYPE.

THIS "GENERIC" DRAWING PROVIDES STANDARD DIMENSIONAL DATA SEE "CUSTOMER SELECTED OPTIONS" FOR SPECIFIC OPTIONS CHOSEN FOR A PARTICULAR JOB.

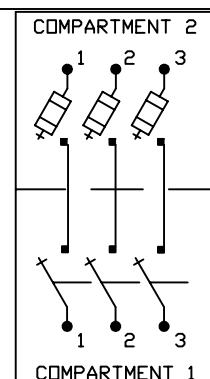


STANDARDS

CIRCUIT DIAGRAM

SWITCHGEAR PER - ANSI/IEEE C37.72

ENCLOSURE PER - ANSI C57.12.28



PAGE 1 OF 2

FEDERAL PACIFIC

TITLE PSI/II-5 LIVEFRONT PADMOUNTED

SP12I01 SWITCHGEAR 15KV 95KV BIL 600AMP

DATE 04-12-93

SCALE 1/25

DRN.BY K. POECKERT

CHK.BY RGN

JOB NO. P215CUST

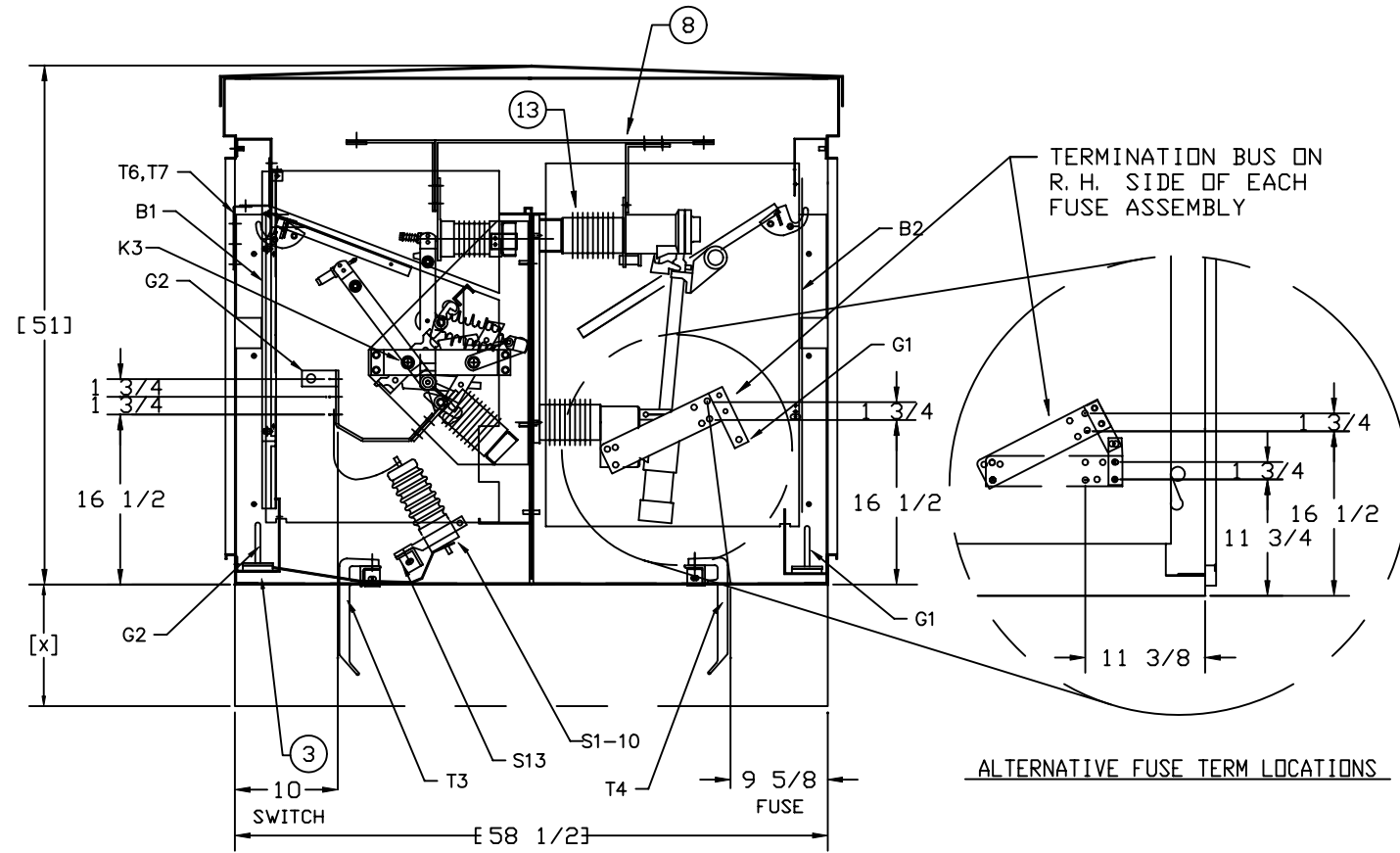
FILENAME 107A6150

DWG.NO. 0107-2-46150

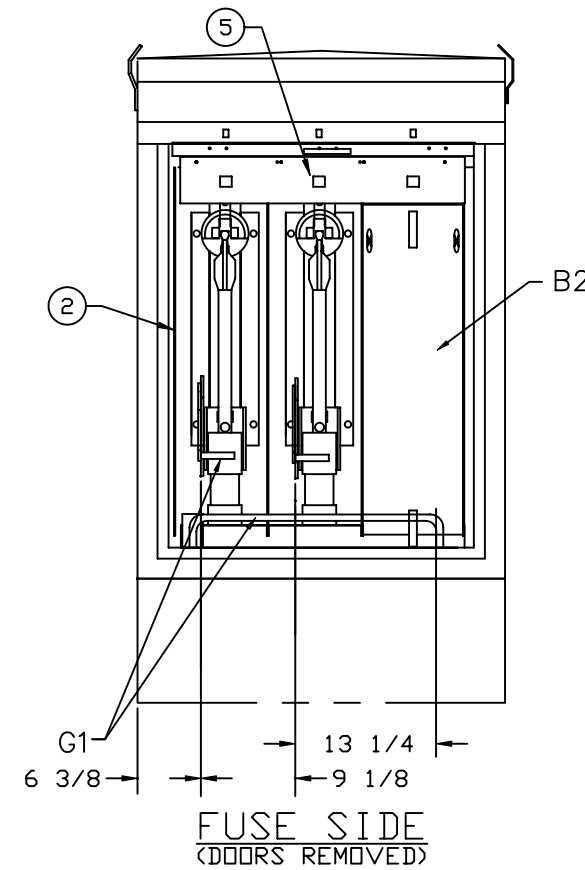
REV. G

THIS DOCUMENT CONTAINS PROPRIETARY INFORMATION OF ELECTRO MECHANICAL CORP. OR ITS OPERATING DIVISIONS IN WHOM TITLE REMAINS. ANY REPRODUCTION, DISTRIBUTION, DIS-CLOSURE OR USE NOT OTHERWISE EXPRESSLY APPROVED IN WRITING IS STRICTLY PROHIBITED.

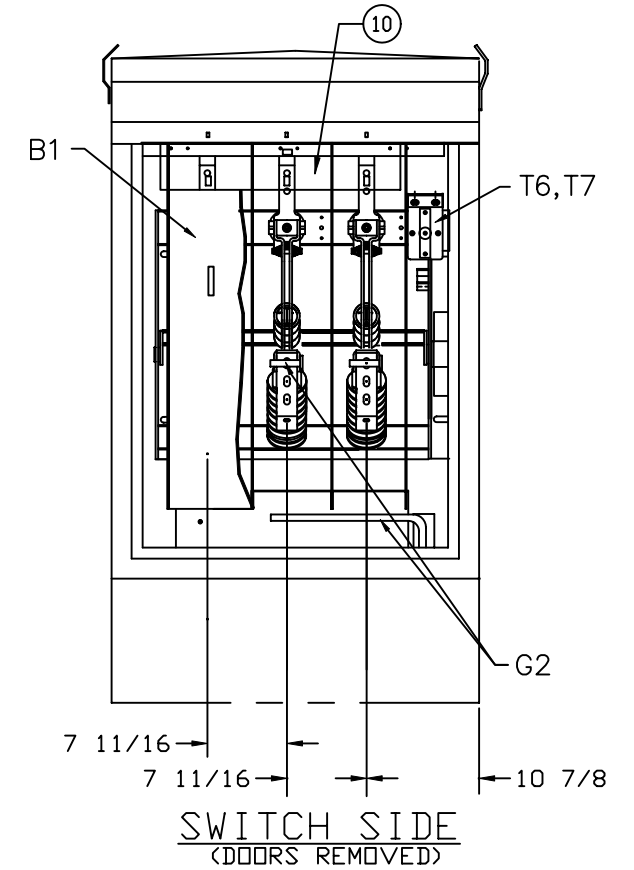
DATE	SYM.	REVISION RECORD	AUTH.	DR.	CK.
050594	E	SEE SHEET 1 OF 2		MNT	
121696	F	SEE SHEET 1 FO 2		MA	
052898	G	UPDATED TO FPC MFG STANDARDS	--	PDG	RGN



SECTION VIEW
(THRU COMPARTMENTS 1 & 2)



FUSE SIDE
(DOORS REMOVED)



SWITCH SIDE
(DOORS REMOVED)



DATE	04-12-93
SCALE	1/20
DRN. BY	K. POECKERT
CHK. BY	RGN
JOB NO.	P215CUST
FILENAME	107B6150
DWG. NO.	0107-2-46150
REV.	G

TITLE PSI/II-5 LIVEFRONT PADMOUNTED

SP12I01 SWITCHGEAR 15KV 95KV BIL 600AMP



SWITCH #14

UNIT 27

WARNING

WARNING

KEEP OUT

Panic / Panic