

TRANSFORMER DATA SHEET

DATE : 10/04/2021
 CUSTOMER : HVES
 CIRCUIT/LOCATION : HVES #92
 MANUFACTURER : Westinghouse Style: A37A533FC9
 TRANSFORMER TYPE : Oil Filled CLASS : OA
 S/N : 87JK014005

THREE PHASE SINGLE PHASE : 60 HERTZ

VOLTAGE RATING: 13200 - 208Y/120

KVA RATING: 300 Continuous, Self Cooled
 Continuous, Forced Air

LV WINDING: ALUMINUM
 HV WINDING: ALUMINUM
 LV: 65°C rise, BIL: 30 kV
 HV: 65°C rise, BIL: 95 kV

NAMEPLATE DATA

Core & Coils	
Case & Fittings	
Oil in Gallons	
Weight in Pounds	4260

Fluid Type : Mineral Oil

Impedance volts : 3.63 % at rated volts at : 300 KVA

MEGGER TEST RESULTS

TRANSFORMER TEST DATA

	1 Minute			POLARIZATION INDEX	CAPACITANCE	
High-> Ground	40k	M-Ohms, @	5	kV DC	1.2	0.02 micro-farad
Low -> Ground	15k	M-Ohms, @	0.5	kV DC	1.4	0.02 micro-farad
High-> Low	20k	M-Ohms, @	0.5	kV DC	1.2	0.02 micro-farad

TRANSFORMER TTR TESTS

TAP (V)	CALC. TTR	PHASE 1	PHASE 2	PHASE 3
13860	115.500			
13530	112.750			
13200	110.000	110.021	110.022	110.024
12870	107.250			
12540	104.500	104.554	104.521	104.527

COMMENTS

Tag 11504

04/09/2013 Oil samples for analysis.

TRANSFORMER OIL DATA SHEET
Dissolved Gas-in-Oil Analysis As Per ASTM D-3612A

DATE : 04/09/2013 Sample Date :
 CUSTOMER : HVES
 CIRCUIT/LOCATION : HVES #92
 MANUFACTURER : Westinghouse
 KVA/TYPE or M/N : 300 / Style: A37A533FC9
 S/N : 87JK014005
 FLUID TYPE :

<u>TEST</u>	<u>IN-SERVICE NORMS*</u>	<u>RESULTS</u>
HYDROGEN (H2)	240 ppm	: 24 ppm
METHANE (CH4)	160 ppm	: 19 ppm
ETHANE (C2H6)	115 ppm	: 3 ppm
ETHYLENE (C2H4)	190 ppm	: 7 ppm
ACETYLENE (C2H2)	11 ppm	: 0 ppm
CARBON MONOXIDE (CO)	580 ppm	: 706 ppm
CARBON DIOXIDE (CO2)	n/a	: 3143 ppm
NITROGEN (N2)	n/a	: 73945 ppm
OXYGEN (O2)	n/a	: 11424 ppm
TOTAL GAS	n/a	: 89271 ppm
TOTAL COMBUSTIBLES	n/a	: 759 ppm
ESTIMATED TCG	n/a	: 0.69 %
CO2/CO RATIO		: 4.45

ANALYSIS:

All gases are within accepted limits.

RECOMMENDATION:

Resample in 1 year.

*In-service Norms as follows:

	<u>GENERATING</u>	<u>TRANSMISSION</u>
HYDROGEN (H2)	240 ppm	100 ppm
METHANE (CH4)	160 ppm	120 ppm
ETHANE (C2H6)	115 ppm	65 ppm
ETHYLENE (C2H4)	190 ppm	30 ppm
ACETYLENE (C2H2)	11 ppm	35 ppm
CARBON MONOXIDE (CO)	580 ppm	350 ppm

COMMENTS:

TRANSFORMER OIL DATA SHEET
Standard Oil Analysis

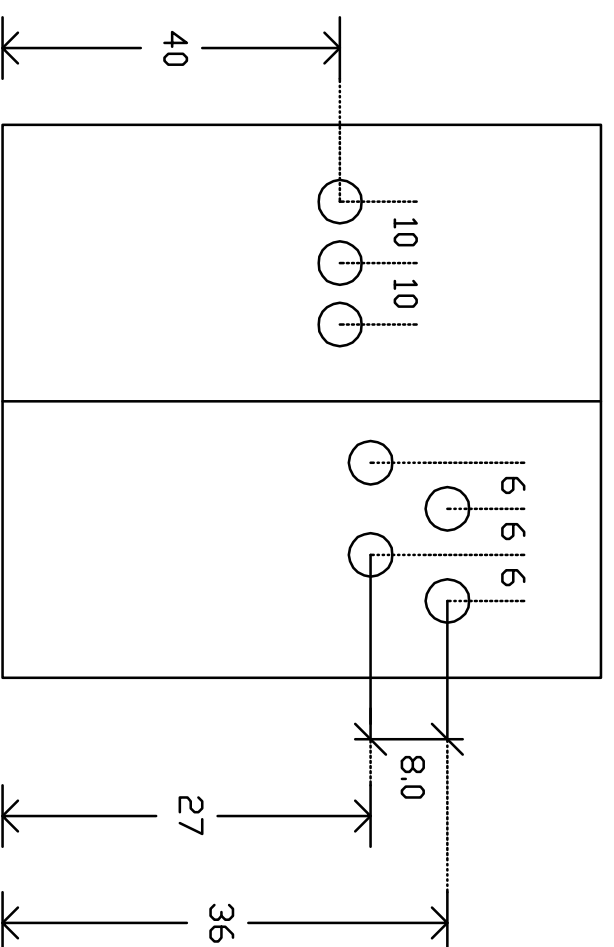
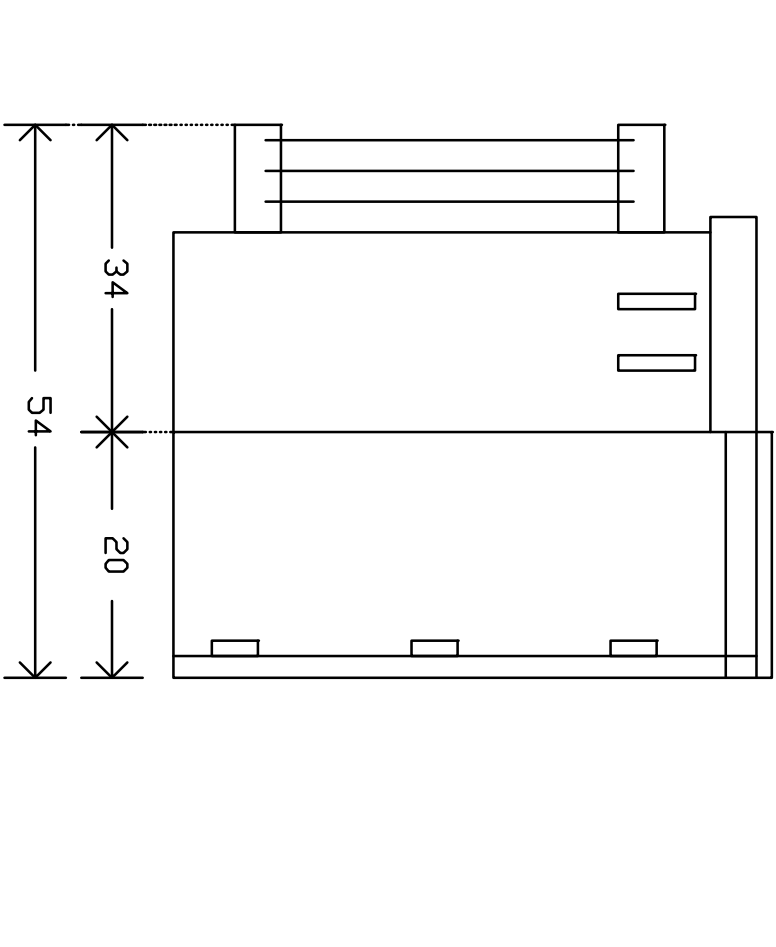
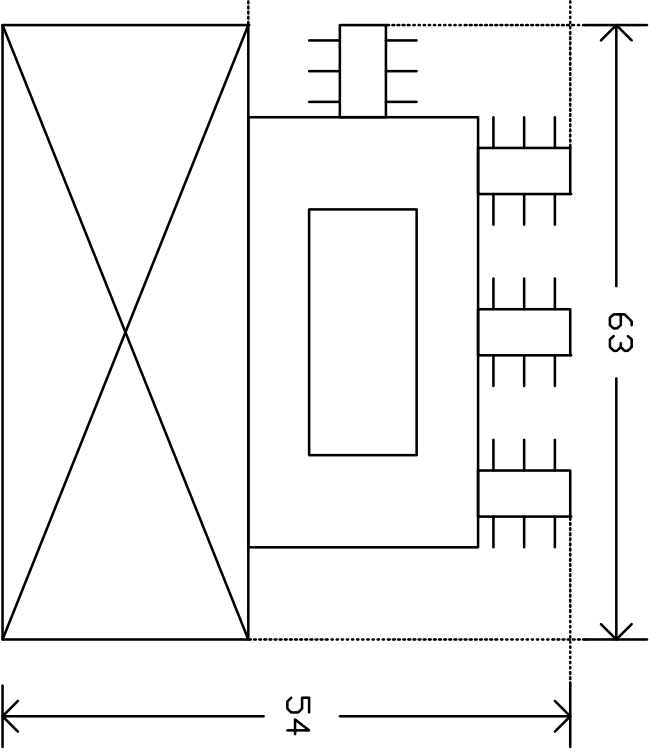
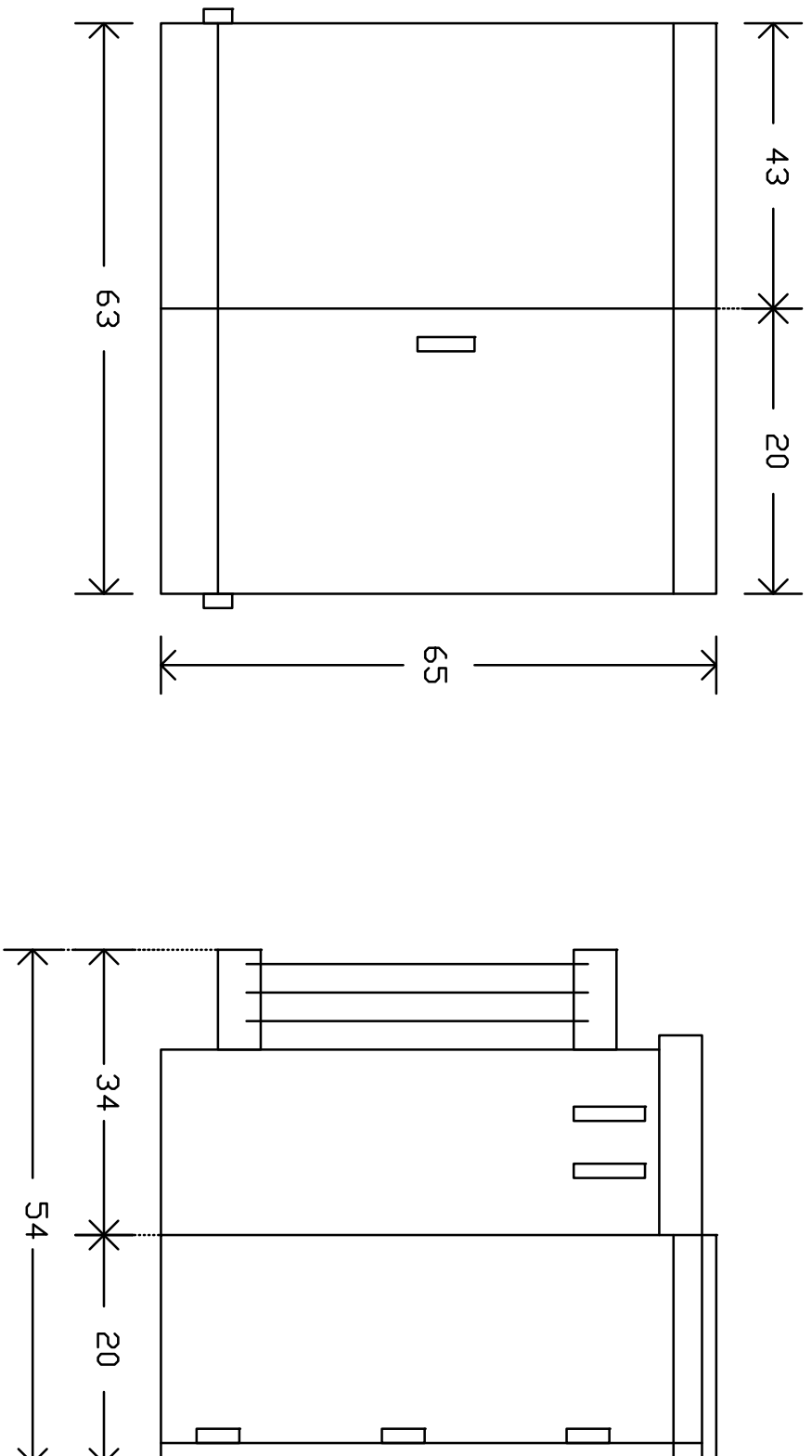
DATE : 04/09/2013 Sample Date :
CUSTOMER : HVES
CIRCUIT/LOCATION : HVES #92
MANUFACTURER : Westinghouse
KVA/TYPE or M/N : 300 / Style: A37533FC9
S/N : 87JK014005
FLUID TYPE : Mineral Oil

<u>TEST</u>	<u>ASTM</u>	<u>LIMITS*</u>	<u>RESULTS</u>
WATER CONTENT	D1533	20 Max	: 4 ppm
INTER-FACIAL TENSION	D971	32 Min	: 50.1 Dynes/ppm
NEUTRALITY	D974	0.10 Max	: 0.009 mg KOH/g
COLOR	D1500	3.5 Max	: 1.0
VISUAL EXAMINATION	D1524	N/A	: Clear w/particulates
DIELECTRIC	D877	26 Min	: 47 kV
SPECIFIC GRAVITY	D1298	0.91 Max	: 0.884

*NETA Table 100.4.1 and ANSI/IEEE C57.106-2002 "Guide for Acceptance and Maintenance of Insulating Oil in Equipment," Table 7.

COMMENTS:

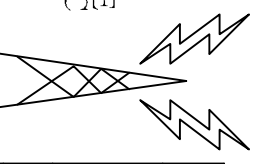
REVISIONS				
ZONE	REV	DESCRIPTION	DATE	APPROVED



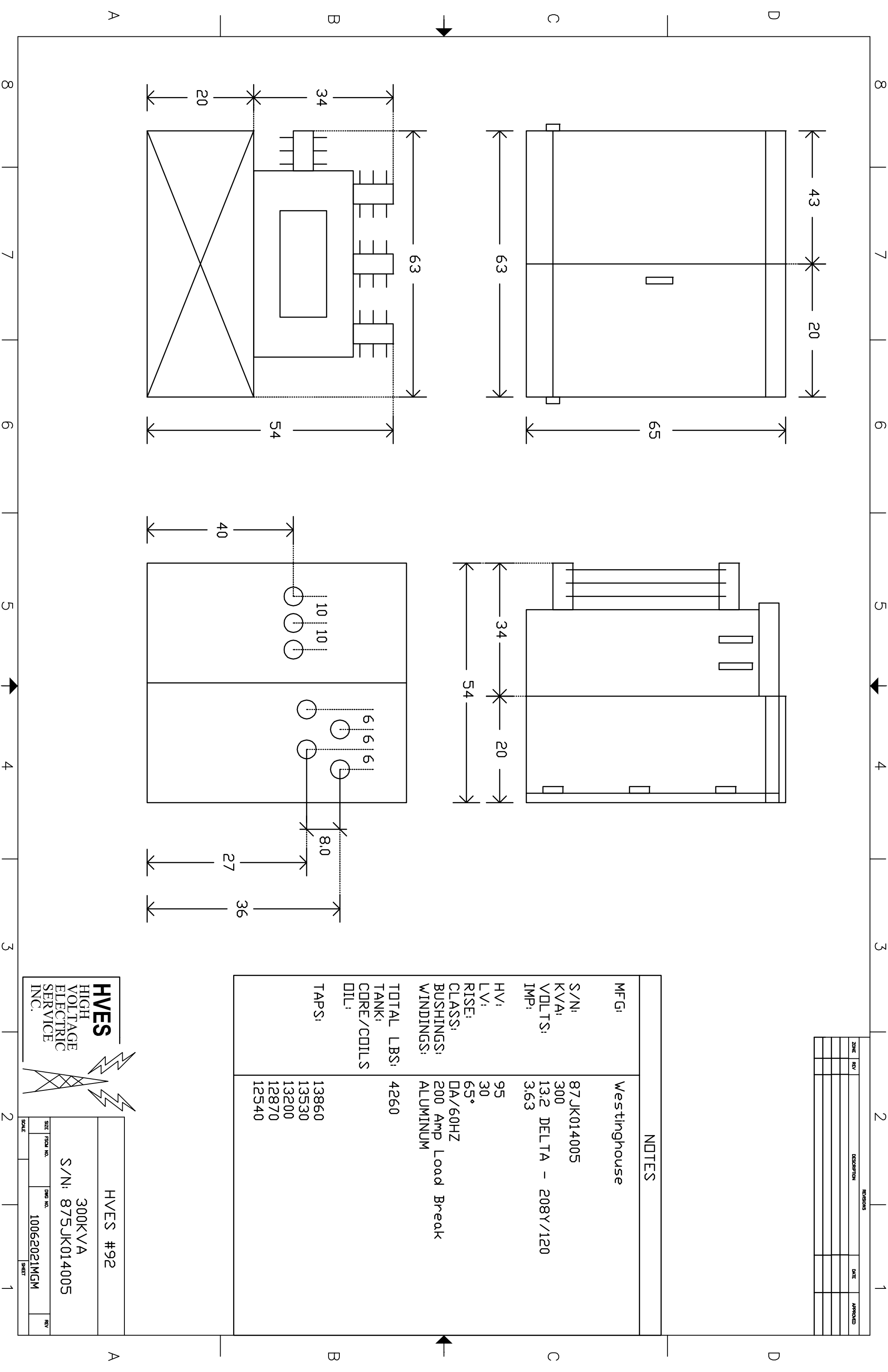
NOTES

MFG:	Westinghouse
S/N:	87JK014005
KVA:	300
VOLTS:	13.2 DELTA - 208Y/120
IMP:	3.63
HV:	95
LV:	30
RISE:	65°
CLASS:	DA/60HZ
BUSHINGS:	200 Amp Load Break
WINDINGS:	ALUMINUM
TOTAL LBS:	4260
TANK:	
CORE/COILS:	
DIL:	
TAPS:	13860
	13530
	13200
	12870
	12540

HVES
HIGH VOLTAGE
ELECTRIC
SERVICE
INC.



HVES #92	
SIZE	300KVA
FORM NO.	S/N: 875JK014005
DWG NO.	10062021MGM
SCALE	SHEET



UNIT 92



Westinghouse

300	A37A533FC9	87 JK014005	4260
13200			
208Y/120		1.95	3.63 BL AL

TAP CHANGER AND DIAGRAM

SWITCH POS.	VOLTS
1	208Y
2	120
3	208Y
4	120

13

Westinghouse

QUALITROL CORPORATION AIRPORT ROAD U.S.A. ITALY



Westinghouse

CLASS OA
THREE PHASE
60 HERTZ

TANK MUST BE
SOLIDLY GROUNDED

KVA **300** CONT RISE **6** °C STYLE **A37A533FC9** SERIAL **87JK014005** WEIGHT **4280**

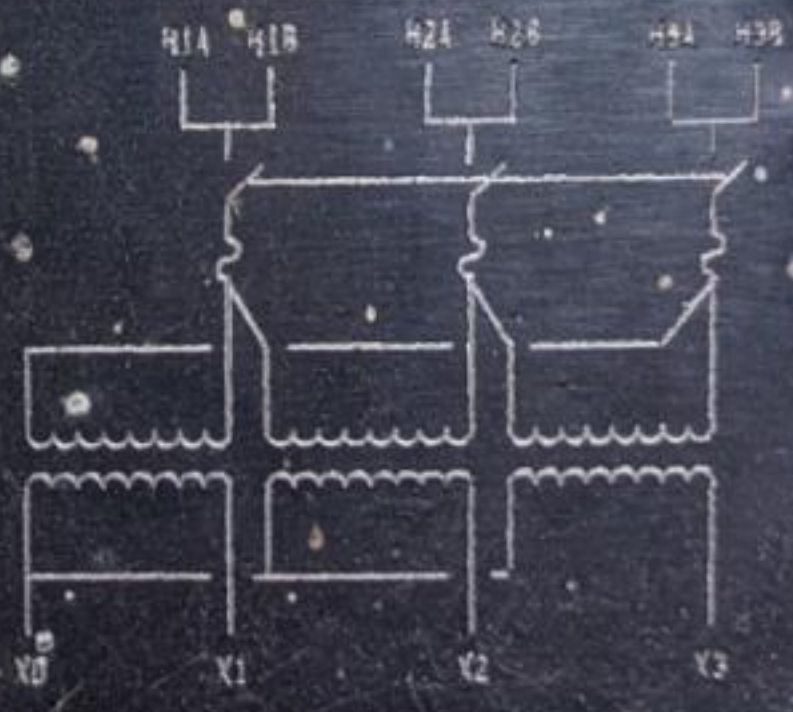
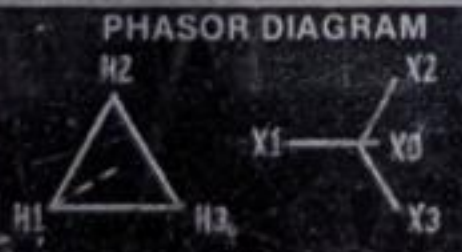
HV **13200**

LV **208Y/120** HV BIL **95** % IMPEDANCE **3.65** HV **AL** LV **AL**

TAP CHANGER AND SWITCH

CAUTION: BEFORE OPERATING READ INSTRUCTION BOOK 46-060-1 FILLED WITH NON-PCB MINERAL OIL THAT CONTAINED LESS THAN 1 PPM AT TIME OF MANUFACTURE

TAP	SWITCH POS 1 VOLTAGE	SWITCH POS 2 VOLTAGE
1	13860	
2	13530	
3	13200	
4	12870	
5	12540	



MADE IN U.S.A. AT JEFFERSON CITY, MO.

266P347H43

DISTRIBUTION TRANSFORMER

MINERAL OIL FILLED



X1

X3

X0

X2

213



LOAD BREAK CURRENT LIMITING FUSE
INDICATED CONNECTIONS
FUSE RATING
CIRCUIT BREAKER
CIRCUIT BREAKER RATING
CIRCUIT BREAKER TYPE



0
C

H1A

H1B

H2A

H2B

H3A

H3B

