

TRANSFORMER DATA SHEET

DATE : 03/24/2021  
 CUSTOMER : HVES  
 CIRCUIT/LOCATION : HVES #24 (new)  
 MANUFACTURER : Northeast Transformer  
 TRANSFORMER TYPE : Pad Mount CLASS : OA  
 S/N : NET7673080321

THREE PHASE  SINGLE PHASE  : 60 HERTZ

VOLTAGE RATING: 13200 Delta-208Y/120

KVA RATING: 500 Continuous, Self Cooled  
 Continuous, Forced Air

LV WINDING: ALUMINUM

HV WINDING: ALUMINUM

LV: 65°C rise, BIL: 30kV

HV: 65°C rise, BIL: 95kV

NAMEPLATE DATA

Core & Coils

Case & Fittings

Oil in Gallons

284

Fluid Type : Mineral Oil

Weight in Pounds

5913

Impedance volts : 2.4 % at rated volts at : 500 KVA

MEGGER TEST RESULTS

**TRANSFORMER TEST DATA**

1 Minute

POLARIZATION INDEX

CAPACITANCE

High-> Ground

31k

M-Ohms, @

5

kV DC

2.14

0.02

micro-farad

Low -> Ground

20k

M-Ohms, @

1

kV DC

2.09

0.02

micro-farad

High-> Low

18k

M-Ohms, @

1

kV DC

1.99

0.02

micro-farad

TRANSFORMER TTR TESTS

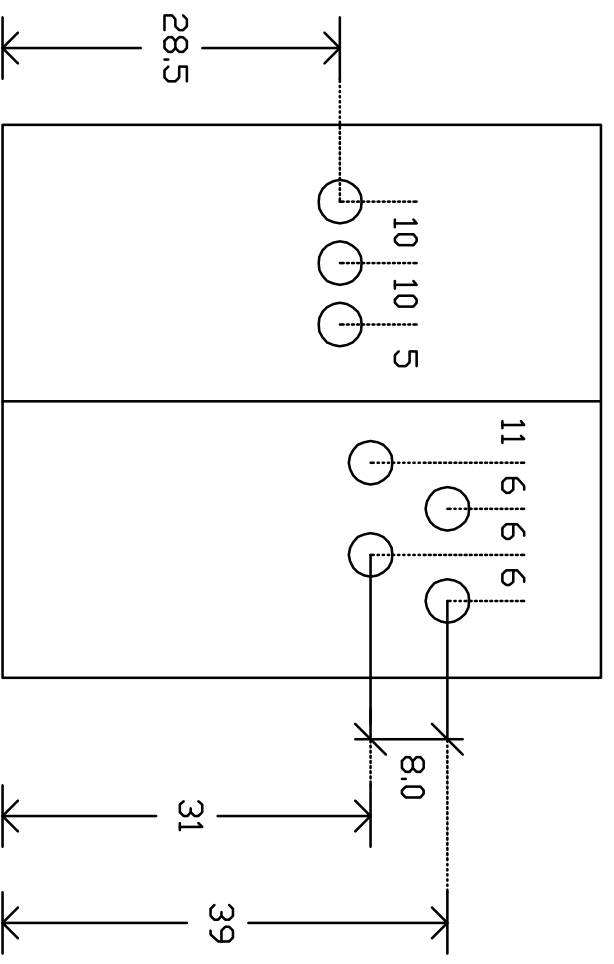
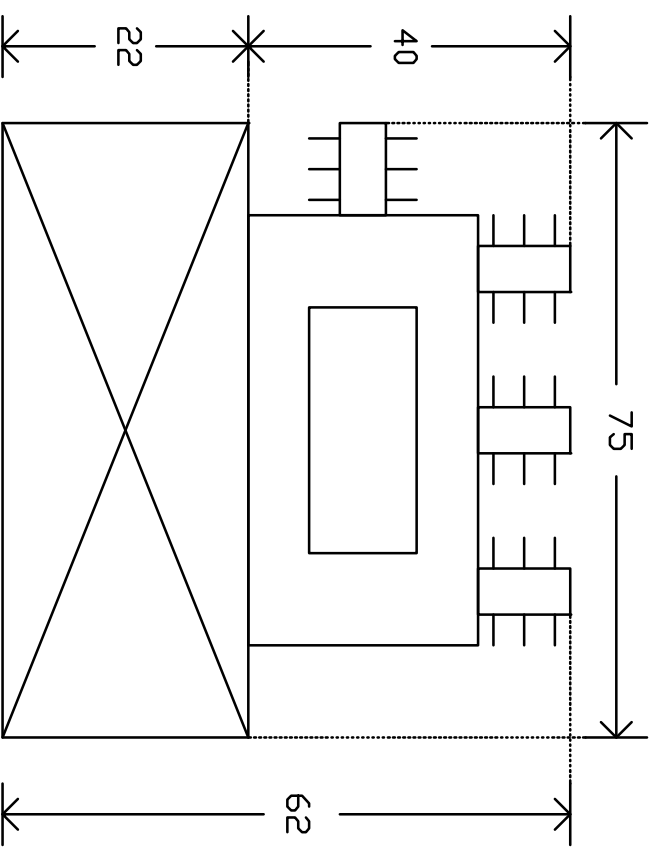
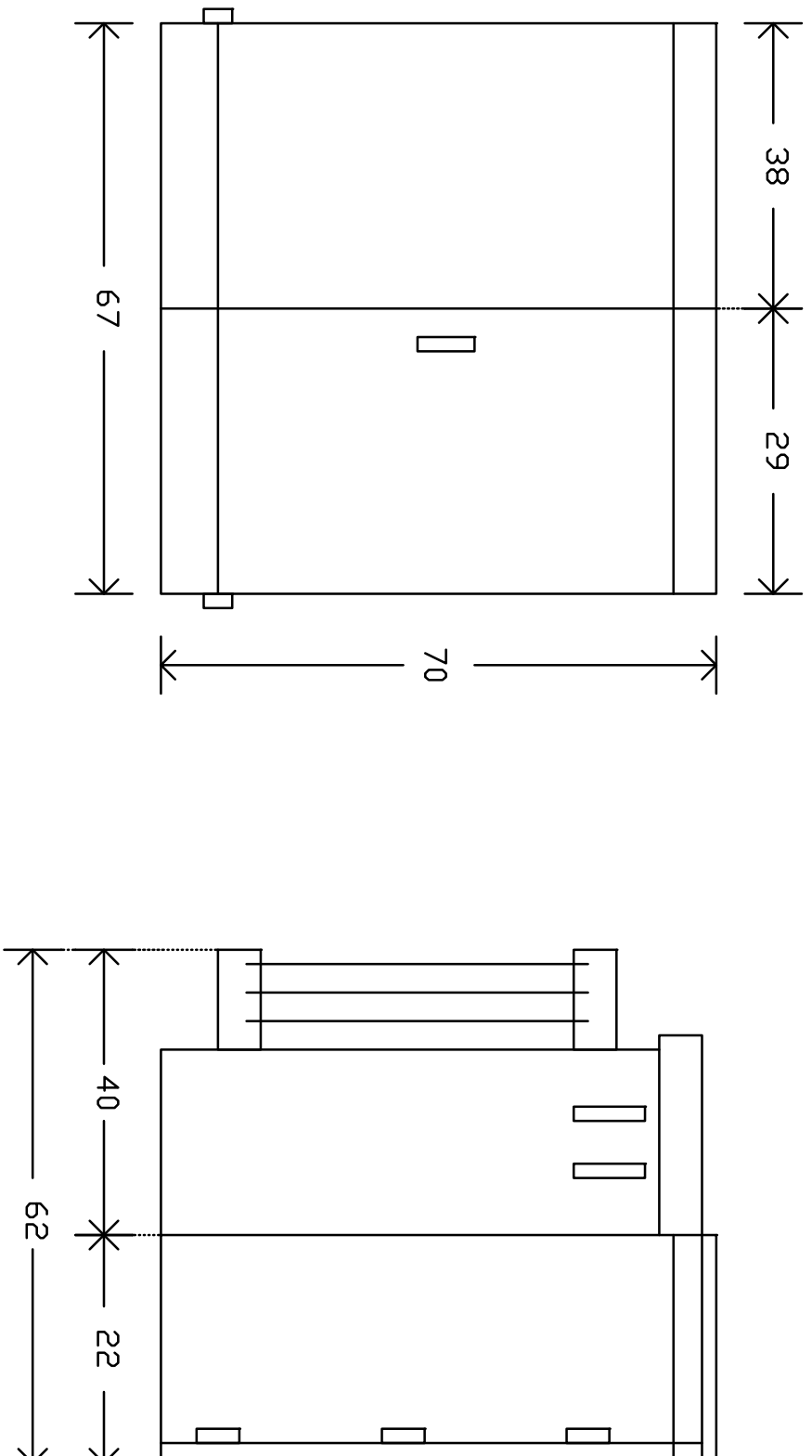
TAP (V)	CALC. TTR	PHASE 1	PHASE 2	PHASE 3
13860	115.50			
13530	112.75			
13200	110.00	109.15	109.46	109.81
12870	107.25			
12540	104.50			

COMMENTS

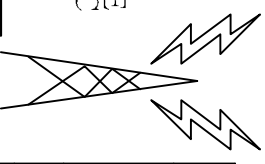
Dead front loop feed with internal fuses and loop feed second set of elbows with 15kV caps.  
 Load break elbows on high voltage bushings.

Tag #11496

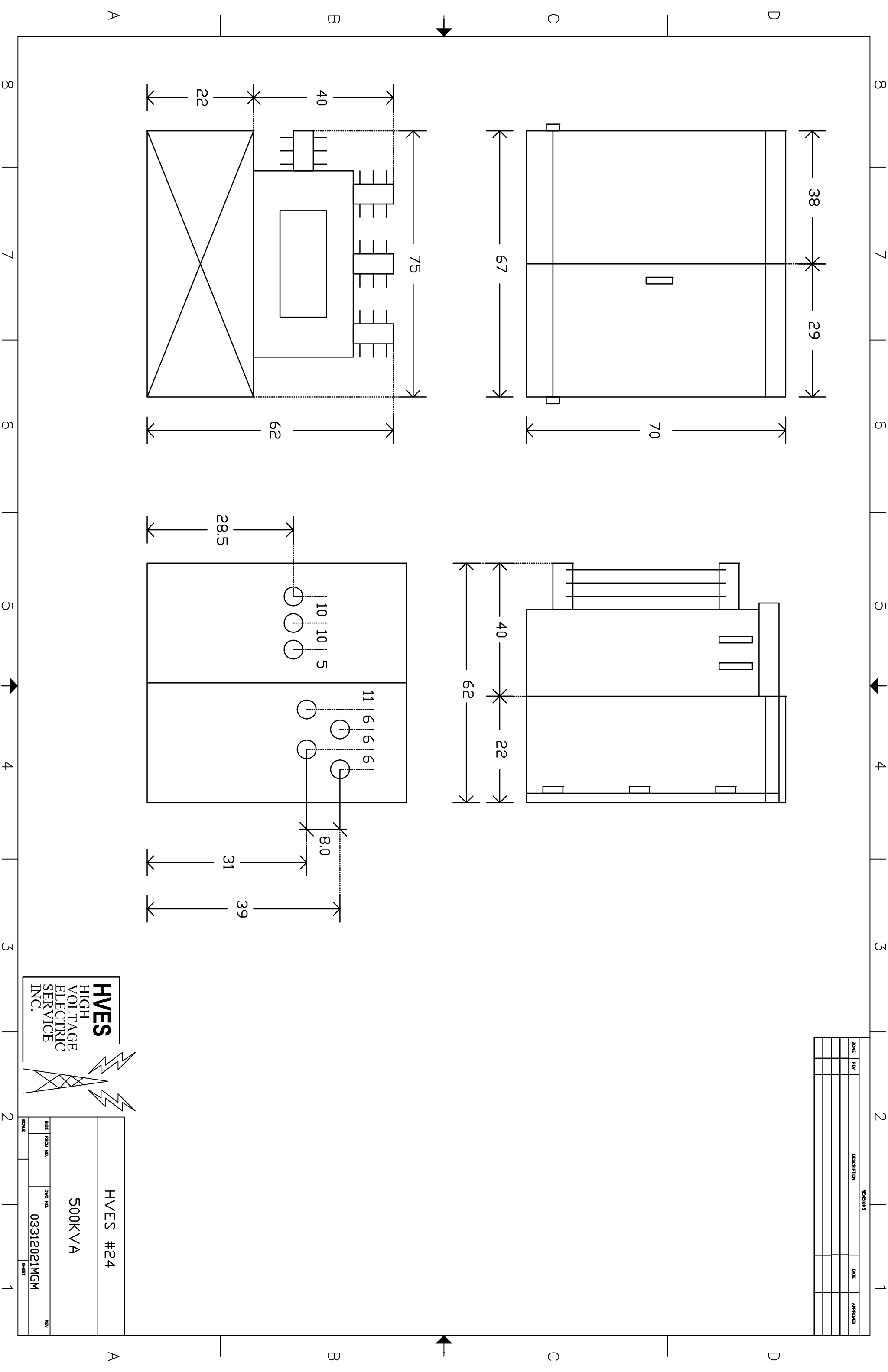
REVISIONS			
ZONE	REV	DATE	APPROVED

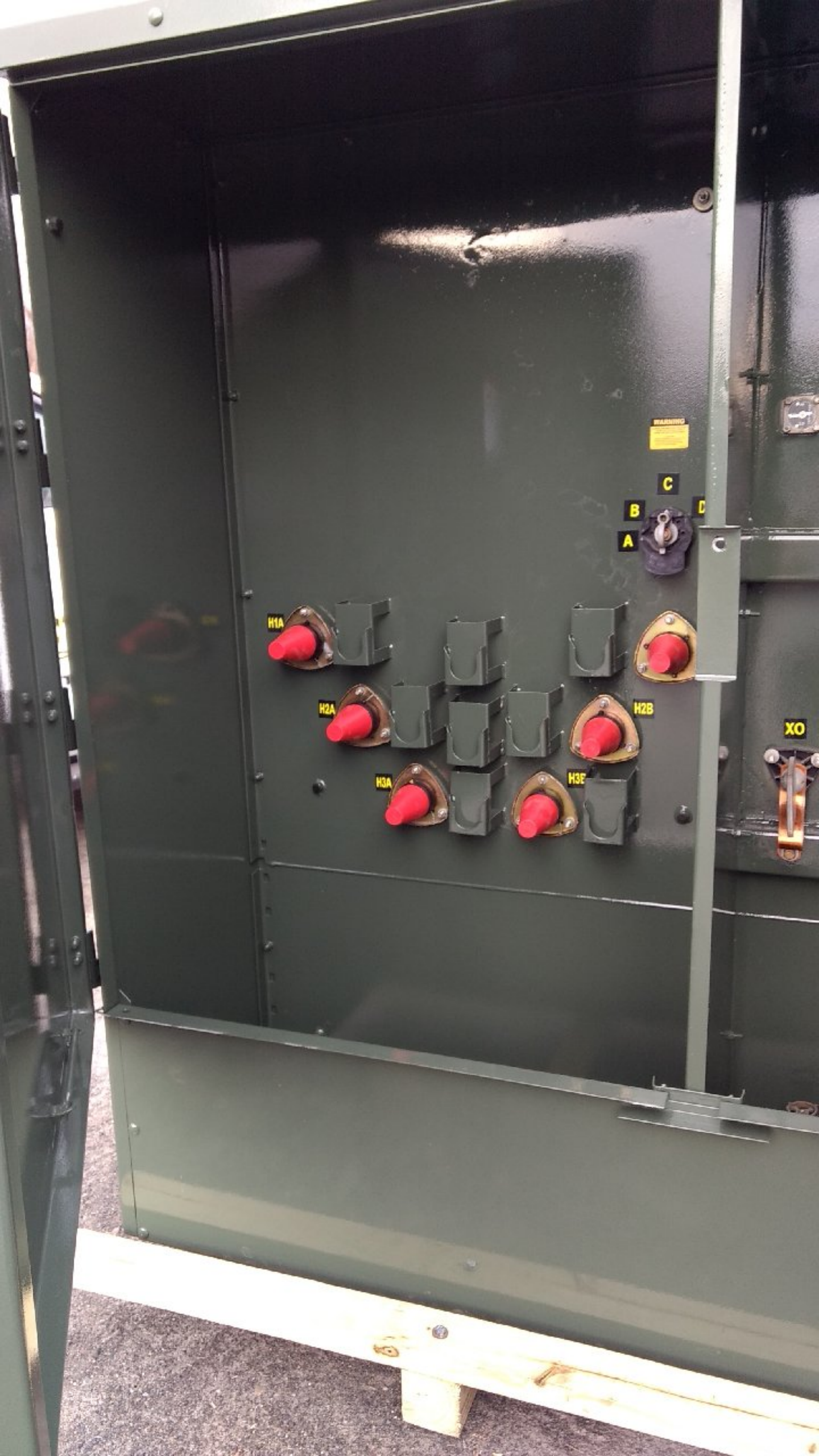


**HVES**  
HIGH VOLTAGE  
ELECTRIC  
SERVICE  
INC.



HVES #24		DATE		APPROVED	
500KVA		DESCRIPTION			
SIZE	FORM NO.	DWG NO.			
SCALE		03312021MGW			





WARNING

A B C D

H1A

H2A

H3A

H3E

H2B

XO



WARNING  
DO NOT OPEN THIS DOOR  
WHILE THE UNIT IS  
OPERATING  
OR HOT



WARNING

C

B

A

X1

X3

H2B

X0

X2

H3F

NON-PCB  
GEORGIA OIL  
WHEN REPAIRING THIS  
UNIT PLEASE USE ONLY  
1-PAYER



# NETS NORTHEAST TRANSFORMER SERVICES

3 PHASE TRANSFORMER CLASS ONAN 60 HZ 65°C RISE

KVA 500

SERIAL



NET7673080321

13200 DELTA

HV BIL 95KV

HV Conductor AL

208Y/120

LV BIL 30KV

LV Conductor AL

% Imp. At 85°C 2.4

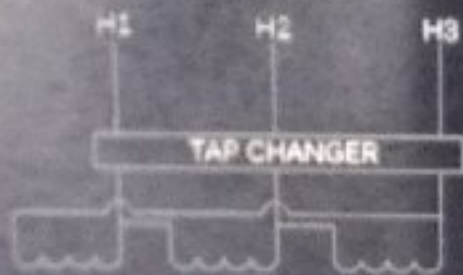
Oil (Gallons) 284

Weight (lbs) 5913

Contained <1 PPM of PCBs At Time Of Manufacture

SUBTRACTIVE POLARITY

TAP CHANGER	
POS	HIGH VOLTAGE
1 A	13860
2 B	13530
3 C	13200
4 D	12870
5 E	12540



Customer ID

514-03-1-0-34

Pueblo, NY, U.S.A.



UNIT 24



500

