

TRANSFORMER DATA SHEET

DATE : 05/01/2003
 CUSTOMER : HVES
 CIRCUIT/LOCATION : HVES 13
 MANUFACTURER : Alstom
 TRANSFORMER TYPE : Pad Mount CLASS : OA
 S/N : PID-0295

THREE PHASE SINGLE PHASE : 60 HERTZ

VOLTAGE RATING: 2400X4160 Delta - 480Y/277

KVA RATING: 1000 Continuous, Self Cooled
 Continuous, Forced Air

LV WINDING: ALUMINUM

HV WINDING: ALUMINUM

LV: 65°C rise, BIL: 30kV

HV: 65°C rise, BIL: 60kV

NAMEPLATE DATA

Core & Coils	2653
Case & Fittings	2471
Oil in Gallons	268/1986
Weight in Pounds	7110

Fluid Type : Mineral Oil

Impedance volts : 5.71 % at rated volts at : 1000 KVA

MEGGER TEST RESULTS

TRANSFORMER TEST DATA

1 Minute

POLARIZATION INDEX

CAPACITANCE

High-> Ground	36.0k	M-Ohms, @	5	kV DC	2.04	0.01	micro-farad
Low -> Ground	24.0k	M-Ohms, @	1	kV DC	2.76	0.02	micro-farad
High-> Low	52.5k	M-Ohms, @	1	kV DC	2.30	0.02	micro-farad

TRANSFORMER TTR TESTS

TAP (V)	CALC. TTR	PHASE 1	PHASE 2	PHASE 3
4368	15.769	15.763	15.764	15.763
4264	15.394	15.410	15.412	14.410
4160	15.018	14.998	15.000	14.998
4056	14.643	14.646	14.647	14.646
3952	14.267	14.234	14.234	14.233
2400	8.664	8.646	8.647	8.647

COMMENTS

Tag 10735
 Date of manufacture: 4/2003

10 Minute Megger Test
 H-G: 73.5k M-ohms
 L-G: 66.5k M-Ohms
 H-L: 121.0k M-ohms

5.50

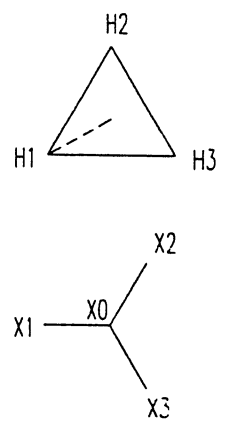
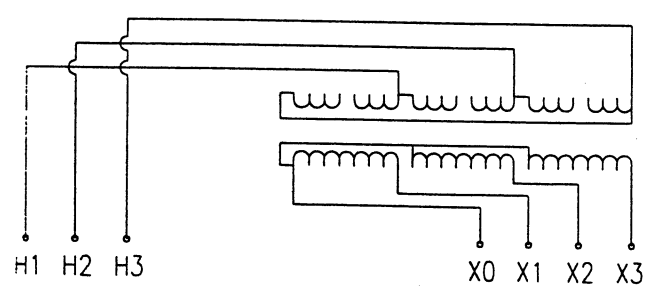
ALSTOM

KVA OA °C RISE
 HV BIL KV
 LV BIL KV
 PHASE HZ TRANSFORMER, % IZ AT BASE KVA RATING
 HV LV COND. ELEMENT LBS. TOTAL WEIGHT LBS.
 GAL AT LBS. LEVEL CHANGES INCH PER. 10°C.
 FLUID LEVEL INCHES FROM TOP OF HAND HOLE AT 25°C.
 MAX TANK PRESS. POS NEG PSI
 SERIAL # DATE OF MFG:

INSTRUCT ON REFERENCE MANUAL 1B9.210

TAPS	A	B	C	D	E		
4160 VOLTS	4368	4264	4160	4056	3952		
2400 VOLTS			2400				

TAPCHANGER MUST BE IN 'C' POSITION FOR 2400 VOLTS



NON-PCB
 10486351-18635

300 WEST ANTELOPE ROAD, MEDFORD OREGON 97503-1089 USA

8.00

5/32 DIA

MATERIAL (.025) STAINLESS STEEL

REVISIONS

ALSTOM

300 WEST ANTELOPE ROAD
 MEDFORD, OREGON 97503-1089 USA

NAMEPLATE PART #	52-637-0022-07-00		
DRAWN BY:	R.M.J. GABB	REVISION	:
APPROVED BY	LO	DATE	4-2-3
SCALE:	1" = ...		

Print. C. W. H. K. U. M. F. C. I. U. M. I. S. I. N. P. J. W. L. U. M. I. N. U. G. A. B. 2003-10-01 1427065

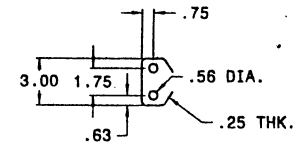
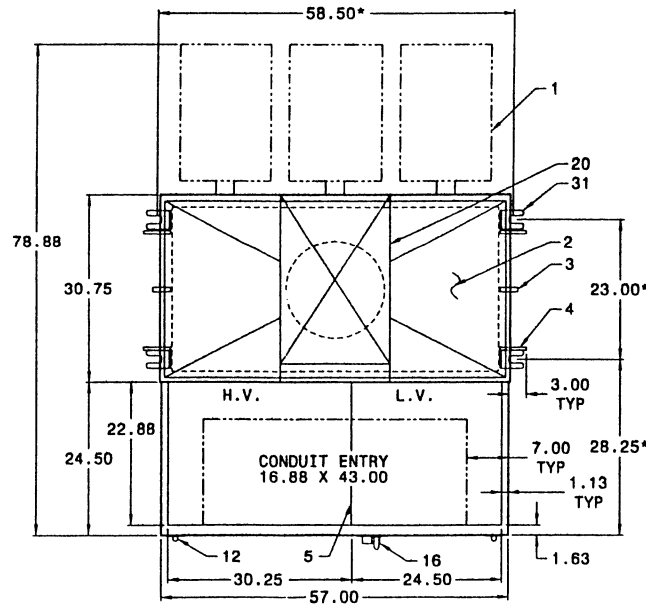
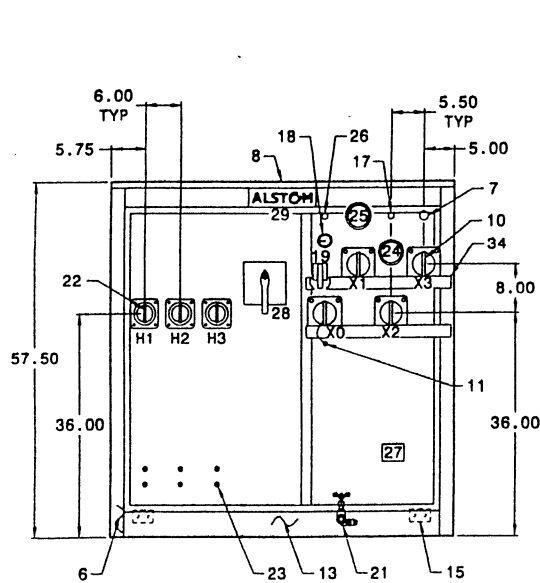
- 1 COOLING PANELS (FLAT PANELS IN A COMMON HEADER)
- 2 TRANSFORMER TANK WITH WELDED COVER DOWED TO SHED WATER
- 3 JACK LUGS
- 4 LIFT LUGS FOR LIFTING TRANSFORMER COMPLETE WITH LIQUID
- 5 DIVIDER BETWEEN H.V. & L.V. COMPARTMENTS
- 6 H.V. & L.V. COMPARTMENT INTERNALLY BOLTED TO TANK FLANGE
- 7 H.V. DOOR IS SECURED BY BOLTS ACCESSIBLE AFTER L.V. DOOR IS OPENED
- 8 1 IN. FILL PLUG & UPPER FILTER PRESS CONNECTION
- 9 REMOVABLE COMPARTMENT COVER
- 10 STAINLESS STEEL NAMEPLATE & CONNECTION DIAGRAM ON L.V. DOOR
- 11 L.V. BUSHING WITH SPADE TERMINAL (SEE DETAIL)
- 12 1/2-13 TAPPED GROUND PAD WITH REMOVABLE GROUND STRAP
- 13 LIFT-OFF TYPE STAINLESS STEEL HINGES WITH 3/8 PINS
- 14 REMOVABLE FRONT SILL TO PERMIT SLIDING COMP'T OVER ENTRANCE CONDUIT
- 15 ADJUSTABLE MOUNTING PLATE WITH .81 x 3.00 SLOTS (NOT SHOWN)
- 16 NEMA GROUND PADS WITH (2) 1/2-13 TAPPED HOLES
- 17 PADLOCKABLE DOOR HANDLE WITH 3-POINT LATCH AND CAPTIVE LOCKBOLT
- 18 PRESSURE RELIEF VALVE
- 19 LIQUID LEVEL GAUGE

- 19 DE-ENERGIZED TAPCHANGER
- 20 TAMPER PROOF HANDHOLE (16.00 DIA.)
- 21 1 IN. DRAIN VALVE & SAMPLER
- 22 H.V. BUSHING WITH G-SPADE CONNECTOR
- 23 PROVISIONS FOR ARRESTER MOUNTING TAPPED 1/2-13
- 24 DIAL TYPE THERMOMETER
- 25 PRESSURE VACUUM GAUGE
- 26 GAS SAMPLE VALVE (SCHRADER)
- 27 NON-PCB LABEL
- 28 DUAL VOLTAGE SWITCH
- 29 ALSTOM ID PLATE
- 30
- 31 BOLT DOWN PROVISIONS (1.25 x 2.50 OPEN END SLOT)
- 32
- 33
- 34 LV BUSHING SUPPORT

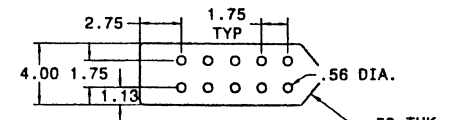
CUSTOMER: HIGH VOLTAGE ELECTRIC SERVICE, INC.
 P.O. : 032403GM
 P.N. : I0486351-I8635
 KVA : 1000
 H.V. : 2400 X 4160 DELTA (60 KV BIL)
 L.V. : 480Y/277 (30 KV BIL)
 TAPS : 2-2 1/2% FCAN & BN ON 4160V ONLY
 LIQUID TYPE : OIL
 LIQUID VOL : 269 GALS.
 TOTAL WEIGHT : 7110 LBS.
 COLOR : PADMOUNT GREEN
 TEMP : 65°C OA

* BOLT DOWN PROVISION DIMENSIONS

-TAPCHANGER MUST BE IN 'C' POSITION FOR 2400 VOLT OPERATION



H.V. BUSHING SPADE DETAIL



10-HOLE L.V. BUSHING DETAIL

REVISIONS

86351

DPTN R.M.J. GABB	
APP'D <i>[Signature]</i>	DATE 4.2.3
DWG NO 186351-O	
REVISION 0	SCALE 5/8"=1'
DWG SIZE B	TOLERANCE ±0.06

ALSTOM

300 WEST ANTELOPE ROAD
 MEDFORD, OREGON USA 97503-1089

TITLE 1000 KVA PADMOUNT OUTLINE

SHEET 1 OF 1

Path: U:\86351\186351-O.dwg, Login: E. Gabb, 2002/02/11 10:06AM

UNIT #13

ALSTOM



UNIT 13 NON PCB
1000KVA Z=5.75%
HV 4160x2400 LV 480Y/277
WT=7500 LBS
TAPS: 4368 / 4264 / 4160
4056 / 3952 / 2400
FULL LOAD AMPS=138 AT 4160V
FULL LOAD AMPS=240 AT 2400V

BY
DATE

LIFT RIGGING STRAPS