

TRANSFORMER DATA SHEET

DATE : 09/16/2018
 CUSTOMER : HVES
 CIRCUIT/LOCATION : HVES #84
 MANUFACTURER : General Electric
 TRANSFORMER TYPE : Pad Mount CLASS : OA
 S/N : 0590026-TXM

THREE PHASE SINGLE PHASE : 60 HERTZ

VOLTAGE RATING: 13200Y/7620-480Y/277

KVA RATING: 750 Continuous, Self Cooled
 Continuous, Forced Air

LV WINDING: ALUMINUM
 HV WINDING: ALUMINUM
 LV: 65°C rise, BIL: 30 kV
 HV: 65°C rise, BIL: 95 kV

NAMEPLATE DATA

Core & Coils	3600
Case & Fittings	2400
Oil in Gallons	330
Weight in Pounds	8400

Impedance volts : 5.9 % at rated volts at : 750 KVA

MEGGER TEST RESULTS

TRANSFORMER TEST DATA

	1 Minute			POLARIZATION INDEX	CAPACITANCE
High-> Ground	31k	M-Ohms, @	5 kV DC	2.14	0.02 micro-farad
Low -> Ground	20k	M-Ohms, @	1 kV DC	2.09	0.02 micro-farad
High-> Low	18k	M-Ohms, @	1 kV DC	1.99	0.02 micro-farad

TRANSFORMER TTR TESTS

TAP (V)	CALC. TTR	PHASE 1	PHASE 2	PHASE 3
13860	28.922	28.910	28.904	28.913
13530	28.233	28.213	28.216	28.217
13200	27.545	27.541	27.542	27.540
12870	26.856	26.852	26.855	26.854
12540	26.168	26.153	26.157	26.158

COMMENTS

Dead front loop feed with internal fuses and loop feed second set of elbows with 15kV caps. Load break elbows on high voltage bushings.

TRANSFORMER OIL DATA SHEET
Standard Oil Analysis

DATE : 07/03/2017
CUSTOMER : HVES
CIRCUIT/LOCATION : HVES #84
MANUFACTURER : General Electric
KVA/TYPE or M/N : 750
S/N : 0590026-TXM

<u>TEST</u>	<u>ASTM</u>	<u>LIMITS*</u>	<u>RESULTS</u>
WATER CONTENT	D1533	20 Max	: 19 ppm
INTER-FACIAL TENSION	D971	32 Min	: 25.8 Dynes/ppm
NEUTRALITY	D974	0.10 Max	: 0.015 mg KOH/g
COLOR	D1500	3.5 Max	: 1.0
VISUAL EXAMINATION	D1524	N/A	: Clear & bright
DIELECTRIC	D877	26 Min	: 46 kV
SPECIFIC GRAVITY	D1298	0.91 Max	: 0.882

*NETA Table 100.4.1 and ANSI/IEEE C57.106-2002 "Guide for Acceptance and Maintenance of Insulating Oil in Equipment," Table 7.

COMMENTS :

TRANSFORMER OIL DATA SHEET
Dissolved Gas-in-Oil Analysis As Per ASTM D-3612A

DATE : 07/03/2017
 CUSTOMER : HVES
 CIRCUIT/LOCATION : HVES #84
 MANUFACTURER : General Electric
 KVA/TYPE or M/N : 750
 S/N : 0590026-TXM

<u>TEST</u>	<u>IN-SERVICE NORMS*</u>	<u>RESULTS</u>
HYDROGEN (H2)	240 ppm	: 0 ppm
METHANE (CH4)	160 ppm	: 22 ppm
ETHANE (C2H6)	115 ppm	: 19 ppm
ETHYLENE (C2H4)	190 ppm	: 15 ppm
ACETYLENE (C2H2)	11 ppm	: 0 ppm
CARBON MONOXIDE (CO)	580 ppm	: 127 ppm
CARBON DIOXIDE (CO2)	n/a	: 4495 ppm
NITROGEN (N2)	n/a	: 92798 ppm
OXYGEN (O2)	n/a	: 38096 ppm
TOTAL GAS	n/a	: 135572 ppm
TOTAL COMBUSTIBLES	n/a	: 183 ppm
ESTIMATED TCG	n/a	: 0.09 %
CO2/CO RATIO		: 35.33

ANALYSIS:

All gases are within accepted limits.

RECOMMENDATION:

Resample in 1 year.

*In-service Norms as follows:

	<u>GENERATING</u>	<u>TRANSMISSION</u>
HYDROGEN (H2)	240 ppm	100 ppm
METHANE (CH4)	160 ppm	120 ppm
ETHANE (C2H6)	115 ppm	65 ppm
ETHYLENE (C2H4)	190 ppm	30 ppm
ACETYLENE (C2H2)	11 ppm	35 ppm
CARBON MONOXIDE (CO)	580 ppm	350 ppm

COMMENTS:

MANUFACTURED
BY THE U.S. GOVERNMENT

C351

750

10X0

X2

GENERAL ELECTRIC

3 PHASE	CLASS O A	CAUTION-BEFORE OPERATING READ INSTRUCTIONS GEI-79025	65 °C RISE	60 HERTZ
Q590026-TXM		750	HV AL	LV AL
13200GRDY/7620		480Y/277		
		MFG DATE OCT-97		

01
NP A648YN403P01 R 0

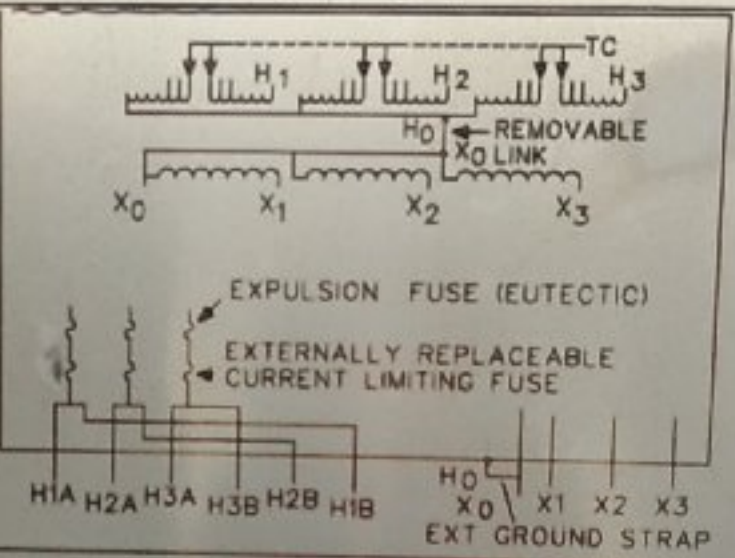
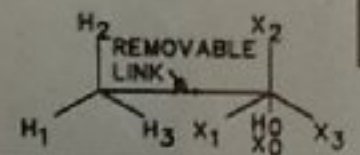
BASIC IMPULSE LEVEL
 HV WINDING 95 KV
 LV WINDING 30 KV

WEIGHTS IN POUNDS
 INTERIOR 3600
 TANK 2400
 LIQUID 2400
 TOTAL 8400

LIQ 330.GAL

IMPEDANCE 85°C
 RATED VOLTS 5.90 %

VOLTS	TAP
13860	A
13530	B
13200	C
12870	D
12540	E
AT RATED KVA	



COMMERCIAL TRANSFORMER
 SHREVEPORT, LA MADE IN USA

CONTAINS NO DETECTABLE PCB
 AT TIME OF MANUFACTURE

AMORPHOUS
CORE

A9501K001PO7

H1



H2



H3



**DE-ENERGIZE TRANSFORMER
WHEN CHANGING VOLTAGE**

BEFORE OPERATING HANDLE-
BACK OUT LOCKSCREW TO CLEAR
INDEX PLATE - PULL OUT AND ROTATE
UNTIL POINTER DROPS INTO SLOT
IN INDEX PLATE AT DESIRED
POSITION - TURN IN LOCKSCREW
UNTIL IT BOTTOMS

CUDPER
CUDPER 41117-100-00

