

TRANSFORMER DATA SHEET

DATE : 09/26/2016
 CUSTOMER : HVES
 CIRCUIT/LOCATION : HVES 76
 MANUFACTURER : GE Prolec
 TRANSFORMER TYPE : Pad Mount CLASS : ONAN
 S/N : M16H14751
 THREE PHASE SINGLE PHASE : 60 HERTZ

VOLTAGE RATING: 13200GRDY/7620 - 480 Delta LV WINDING: ALUMINUM
 KVA RATING: 2000 Continuous, Self Cooled HV WINDING: ALUMINUM
 2240 Continuous, Forced Air LV: 55/65°C rise, BIL: 30 kV
 HV: 55/65°C rise, BIL: 95 kV

NAMEPLATE DATA

Core & Coils	6446
Case & Fittings	2893
Oil in Gallons	370/2772
Weight in Pounds	12111

Impedance volts : 5.94 % at rated volts at : 2000 KVA

TRANSFORMER TEST DATA

MEGGER TEST RESULTS

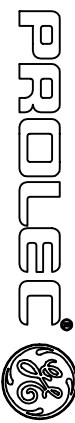
	1 Minute			POLARIZATION INDEX	CAPACITANCE in MICRO-FARAD
High-> Ground	<input type="text"/>	M-Ohms, @	<input type="text"/>	kV DC	<input type="text"/>
Low -> Ground	<input type="text"/>	M-Ohms, @	<input type="text"/>	kV DC	<input type="text"/>
High-> Low	<input type="text"/>	M-Ohms, @	<input type="text"/>	kV DC	<input type="text"/>

TRANSFORMER TTR TESTS

TAP (V)	CALC. TTR	PHASE 1	PHASE 2	PHASE 3
13860	16.671	16.674	16.677	16.674
13530	16.274	16.285	16.287	16.285
13200	15.877	15.895	15.896	15.897
12870	15.480	15.507	15.507	15.507
12540	15.083	15.063	15.066	15.064

COMMENTS

Cat #RGU437
 Date of Manufacture Sept. 2016
 Tag 11412



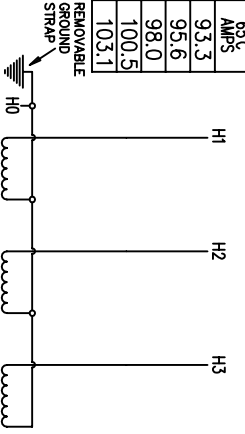
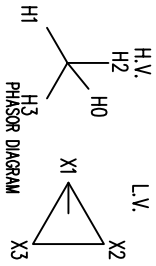
3 PHASE PADMOUNTED TRANSFORMER CLASS ONAN
 55/65°C RISE 60 HERTZ MFG DATE
 SER

kVA 2000/2240
 HV 13200GdY/7620
 IMPEDANCE @ 75°C
 RATED VOLTS %
 ORDER NUM RG437

L V 480 HV 95 BIL 95
 L V 30 HV 30 MAT A1 LV A1
 GALLONS OF OIL TYPE II 370

MASS	kg	pounds
CORE & COIL UNWINDING (NEAREST FIGS)	2925	6446
TANK	1313	2893
LIQUID OIL TYPE II	1258	2772
TOTAL WT	5496	12111

TAP POS	VOLTAGE	55°C AMPS	65°C AMPS
1/A	13860	83.3	93.3
2/B	13530	85.3	95.6
3/C	13200	87.5	98.0
4/D	12870	89.7	100.5
5/E	12540	92.1	103.1



CONNECTION DIAGRAM



DOE 10 CFR PART 431 04/18/13 COMPLIANT
 MAXIMUM OPERATING PRESSURES OF LIQUID PRESERVATION SYSTEM 480/240 (7.6/3.8) POSITIVE AND 34.1/17.0 (5.0/2.5) NEGATIVE
 LIQUID LEVEL BELOW TOP SURFACE OF WINDING SHALL BE MAINTAINED AT ALL TIMES. THE LIQUID LEVEL SHALL NOT CHANGE AT 25°C (52°F)
 LIQUID LEVEL CHANGES 8 mm (0.3 in) PER 10°C CHANGE IN LIQUID TEMPERATURE
 PERCENT IMPEDANCE STATED ABOVE AT RATED VOLTS AT 2000 KVA
 CONTAINS NO DETONATING MATERIALS
 PROJECT: GE INTERNACIONAL S. DE RL. DE C.V. www.proleec.com

IMPEDANCE MEETS ANSI STANDARDS
 WITH TOLERANCE OF +/-7.5%
 ACTUAL TESTED IMPEDANCE WILL BE
 STAMPED ON NAME PLATE

REV. _____

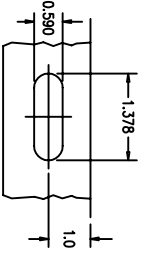
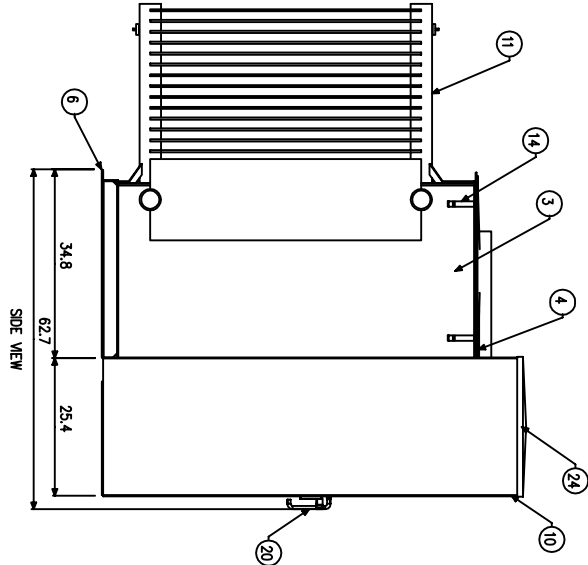
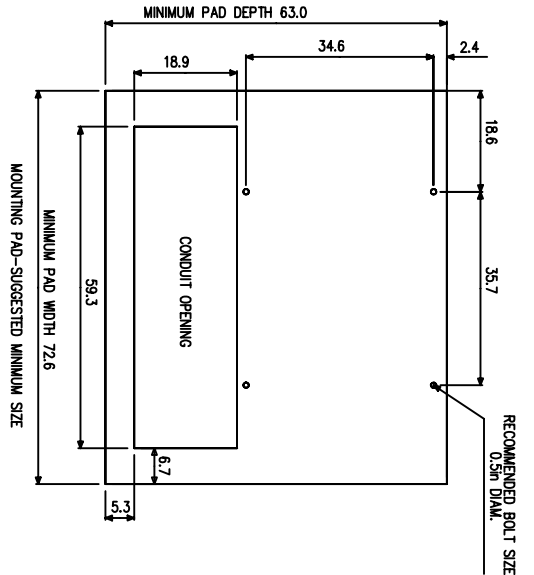
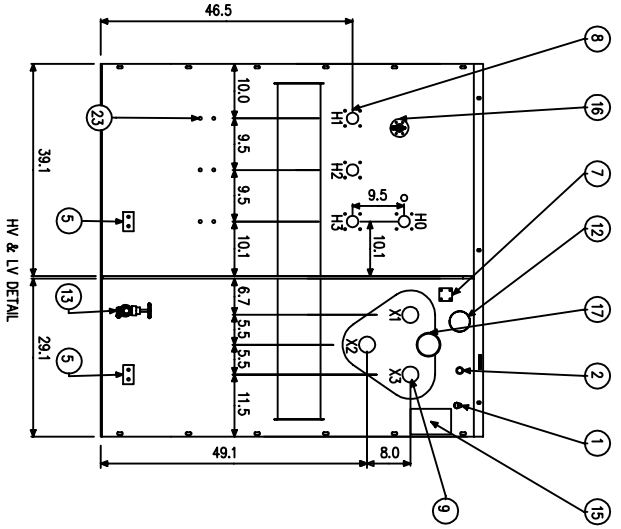
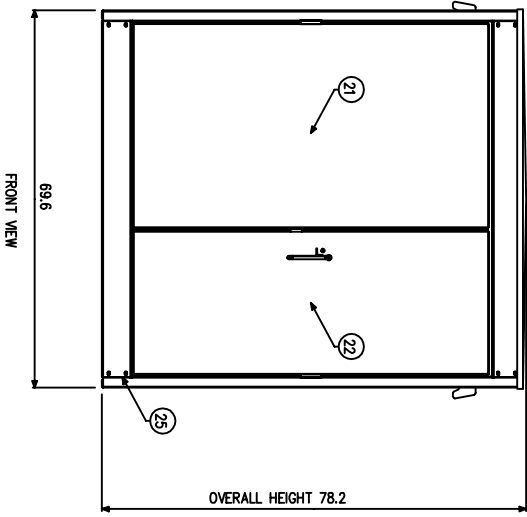
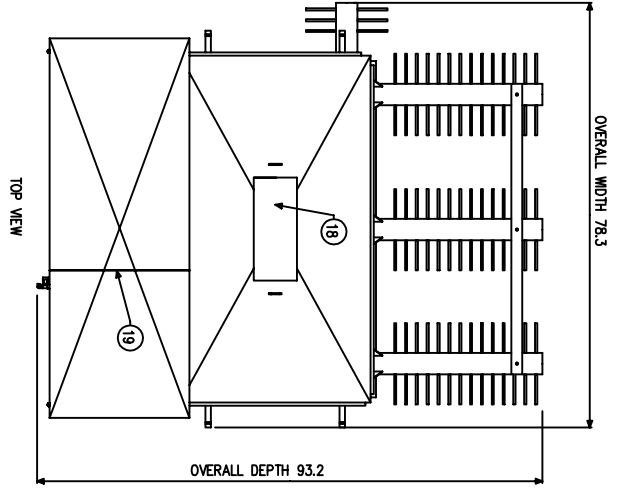
Drawn: AUDI Customer/Project Name: HIGH VOLTAGE ELECTRIC IN

Maker: AMG Title: NAMEPLATE

Appr: AMG Description: 2000/2240 KVA, 3 PHASE, 60 HERTZ, 13200GdY/7620-480 VOLT 55/65°C RISE - DELTA COOLING SYSTEM

Sheet 1 of 1 Drawing Number: RG437COA

Rev. 0



COLOR: MUNSELL GREEN 7GY 3.291.5

1	PRESSURE RELIEF VALVE, QUALITROL 202-032-01 50 SCFM
2	1 INCH FILL PROVISION
3	TANK (MILD STEEL)
4	TANK COVER
5	GROUND PADS
6	BASE (MILD STEEL)
7	LIQUID LEVEL GAUGE
8	LIVE FRONT PORCELAIN BUSHING WITH 3 HOLE BLADE 35KVAR, 200A
9	LV BUSHING 16 HOLE BLADE SUPPORTED 30KVAR, 3300A
10	CABINET (MILD STEEL)
11	RADIATORS (MILD STEEL)
12	PRESSURE VACUUM GAUGE
13	T. DRAIN VALVE WITH 3/8" SAMPLER HD DV1000-001-FB
14	LIFTING LUGS
15	ANODIZED ALUMINUM NAMEPLATE
16	TAP CHANGER
17	THERMOMETER
18	HAND HOLE 8"X19"
19	REMOVABLE PARTITION
20	DOOR HANDLE WITH PROVISION FOR PADLOCK
21	HV DOOR W/PENTA HEAD BOLT
22	LV DOOR W/PENTA HEAD BOLT
23	ARRESTORS PROVISIONS
24	CABINET REMOVABLE HOOD
25	REMOVABLE SILL (MILD STEEL)

HIGH VOLTAGE ELECTRIC IN

Customer:

REQ. NO. :

Title:

OUTLINE DRAWING
2000/2240 KVA, 3 PHASE, 60 HERTZ, 13200GRV/7620-480 VOLT
55/65 °C, WVE - DELTA COOLING ONAN

Draftsman: AMG
REV: AMG
App: AMG
Scale: 1:31
Dimensions in inch
Date: 07/19/2016
Rev: 0

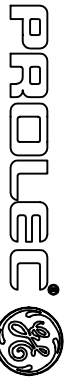
TRANSFORMER WEIGHTS

Note: Overall Dimensions are nominal with tolerance of +/- 0.5 all other dimensions have a tolerance of +/- 0.1

CORE & COIL	6 446 LBS
TANK AND FITTINGS	2 893 LBS
370 GALLONS OF OIL	2 772 LBS
TOTAL WEIGHT	12 111 LBS

http://www.proelec.com

DESIGNED TO OPERATE BELOW 3300.0 FEET ABOVE SEA LEVEL



Drawing No. RCU43701B801



3 PHASE PADMOUNTED TRANSFORMER CLASS ONAN
 55/65°C RISE 60 HERTZ MFG DATE SER

kVA 2000/2240

IMPEDANCE @ 75°C
 RATED VOLTS %

HV 13200GrdY/7620

ORDER NUM RGU437

LV 480

BIL HV 95

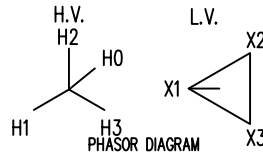
BIL LV 30

MAT HV Al

MAT LV Al

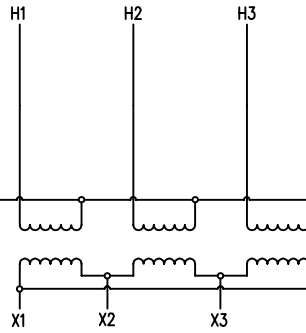
GALLONS OF OIL TYPE II	370
------------------------	-----

MASS	kg	pounds
CORE & COIL UNTANKING (HEAVIEST PIECE)	2925	6446
TANK	1313	2893
LIQUID OIL TYPE II	1258	2772
TOTAL WT	5496	12111



TAP CHANGER			
TAP POS	VOLTAGE	55°C AMPS	65°C AMPS
1/A	13860	83.3	93.3
2/B	13530	85.3	95.6
3/C	13200	87.5	98.0
4/D	12870	89.7	100.5
5/E	12540	92.1	103.1

REMOVABLE GROUND STRAP



DOE 10 CFR PART 431 04/18/13 COMPLIANT
 MAXIMUM OPERATING PRESSURES OF LIQUID PRESERVATION SYSTEM: 48kPa (7 lb/in²) POSITIVE AND 34 kPa (5 lb/in²) NEGATIVE
 TANK DESIGNED FOR 48kPa (7 lb/in²) VACUUM FILLING
 LIQUID LEVEL BELOW TOP SURFACE OF THE HIGHEST POINT OF THE HIGHEST HANDHOLE FLANGE AT 25°C IS 132 mm (5.2 in)
 LIQUID LEVEL CHANGES 8 mm (0.3 in) PER 10°C CHANGE IN LIQUID TEMPERATURE
 PERCENT IMPEDANCE STATED ABOVE AT RATED VOLTS AT 2000 kVA
 CAUTION BEFORE OPERATING READ INSTRUCTION GE-79025M
 CONTAINS NO DETECTABLE LEVEL OF PCB (LESS THAN 1 PPM) AT THE TIME OF MANUFACTURE

MADE IN MEXICO PROLEC GE INTERNACIONAL S. DE R.L. DE C.V. www.prolecge.com

IMPEDANCE MEETS ANSI STANDARDS
 WITH TOLERANCE OF +/-7.5%
 ACTUAL TESTED IMPEDANCE WILL BE
 STAMPED ON NAME PLATE

REV.

Draftman : AUDI	Customer/Project Name : HIGH VOLTAGE ELECTRIC IN	Cat. Number :
Review: AMG	Title : NAMEPLATE	
App: AMG	Description : 2000/2240 kVA, 3 PHASE, 60 HERTZ, 13200GrdY/7620-480 VOLT 55/65 °C WYE - DELTA COOLING ONAN	
Sheet 1 of 1		
Rev. 0		DRAWING NUMBER: RGU437COA

UNIT 76

LET US BE YOUR
ONE STOP SOURCE