

TRANSFORMER DATA SHEET

DATE : 01/05/2013  
 CUSTOMER : HVES  
 CIRCUIT/LOCATION : HVES 73  
 MANUFACTURER : Northeast Transformer  
 TRANSFORMER TYPE : Pad Mount CLASS : OA  
 S/N : NET3258010714  
 THREE PHASE  SINGLE PHASE  : 60 HERTZ

VOLTAGE RATING: 4800/8320Y/4800 X 7200/12470Y/7200 - 480Y/277 LV WINDING: ALUMINUM  
 KVA RATING: 1500 Continuous, Self Cooled HV WINDING: ALUMINUM  
 Continuous, Forced Air LV: 65°C rise, BIL: 30 kV  
 HV: 65°C rise, BIL: 95 kV

NAMEPLATE DATA

Core & Coils	3472
Case & Fittings	3734
Oil in Gallons	365/2741
Weight in Pounds	9936

Impedance volts : 5.7 % at rated volts at : 1500 KVA

**TRANSFORMER TEST DATA**

MEGGER TEST RESULTS

1 Minute

High-> Ground	<input type="text"/>	M-Ohms, @	<input type="text" value="5"/>	kV DC
Low -> Ground	<input type="text"/>	M-Ohms, @	<input type="text" value="5"/>	kV DC
High-> Low	<input type="text"/>	M-Ohms, @	<input type="text" value="5"/>	kV DC

POLARIZATION  
INDEX

<input type="text"/>
<input type="text"/>
<input type="text"/>

CAPACITANCE in  
MICRO-FARAD

<input type="text"/>
<input type="text"/>
<input type="text"/>

TRANSFORMER TTR TESTS

TAP (V)	CALC. TTR	PHASE 1	PHASE 2	PHASE 3

COMMENTS

Tag 11367  
 Date of manufacture: n/a  
 Stored at Daves's Yard

1500

SER-NET 3258010714

4800/8320Y/4800 X 7200/12470Y/7200

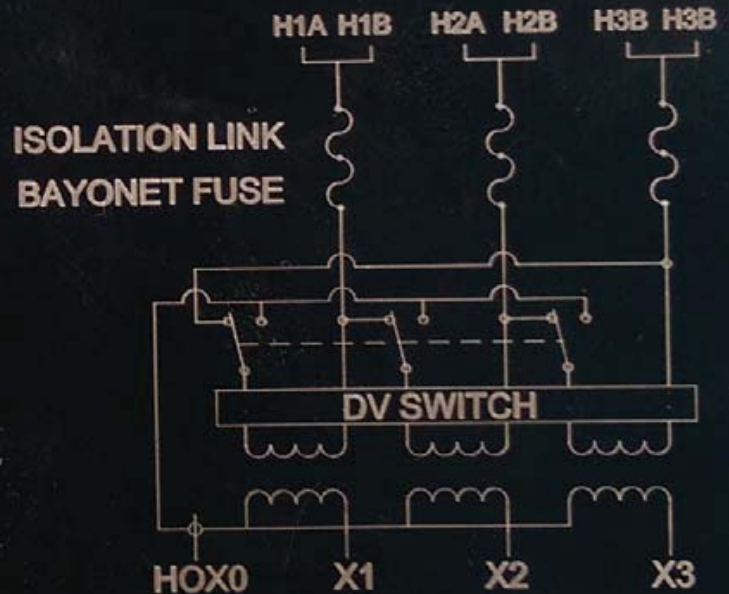
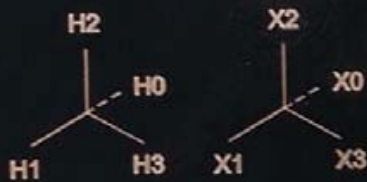
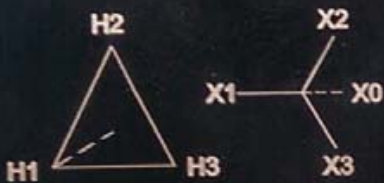
480Y/277

IMP 5.7 % @ 85° C

% IZ IS @ BASE KVA & RATED VOLTAGE

APPROX. WEIGHT	
CORE & COIL (UNTANKING)	3462 LB
TANK & FIT	3734 LB
FLUID : OIL (GALLONS)	2741 LB 365
TOTAL WGT.	9936 LB

	MAT	KV BIL
HV	AL	95
HO		30
LV	AL	30



DV SWITCH POSITION	RATED VOLTAGE	
	DELTA	WYE
1	4800	8320Y/4800
2	7200	12470Y/7200

100017850

TYPE II MINERAL OIL CONTAINED LESS THAN 1 PPM PCB WHEN MANUFACTURED

