

TRANSFORMER DATA SHEET

DATE : 12/23/2013  
 CUSTOMER : HVES  
 CIRCUIT/LOCATION : HVES 65  
 MANUFACTURER : GE Prolec  
 TRANSFORMER TYPE : Pad Mount CLASS : ONAN  
 S/N : M13J21247  
 THREE PHASE  SINGLE PHASE  : 60 HERTZ

VOLTAGE RATING: 13200 Delta-480Y/277 LV WINDING: ALUMINUM  
 KVA RATING: 1000 Continuous, Self Cooled HV WINDING: ALUMINUM  
 Continuous, Forced Air LV: 65°C rise, BIL: 30 kV  
 HV: 65°C rise, BIL: 95 kV

NAMEPLATE DATA

Core & Coils	3533
Case & Fittings	1741
Oil in Gallons	263/1972
Weight in Pounds	7246

Impedance volts : 6.06 % at rated volts at : 1000 KVA

TRANSFORMER TEST DATA

MEGGER TEST RESULTS

	1 Minute			POLARIZATION INDEX	CAPACITANCE in MICRO-FARAD
High-> Ground	100k	M-Ohms, @	5	kV DC	
Low -> Ground	100k	M-Ohms, @	1	kV DC	
High-> Low	100k	M-Ohms, @	1	kV DC	

TRANSFORMER TTR TESTS

TAP (V)	CALC. TTR	PHASE 1	PHASE 2	PHASE 3
13860	50.013	49.263	49.968	49.980
13530	48.822	48.790	48.810	48.805
13200	47.631	47.622	47.635	47.628
12870	46.441	46.385	46.400	46.390
12540	45.250	45.208	45.225	45.214

COMMENTS

Tag 11357  
 Date of manufacture: 12/2013  
 Stored at Daves's Yard



3 PHASE PADMOUNTED TRANSFORMER CLASS ONAN  
 65°C RISE 60 HERTZ MFG DATE SER

KVA 1000

IMPEDANCE @ 85°C  
 RATED VOLTS %

HV 13200

ORDER NUM RF1974

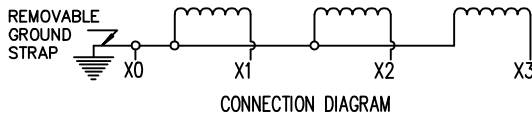
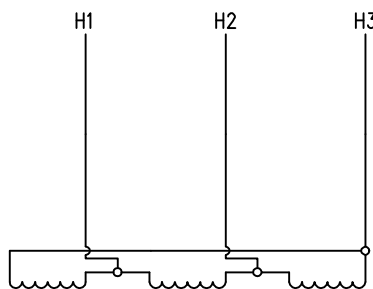
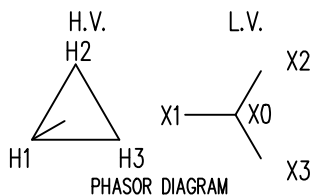
LV 480Y/277

BIL HV 95 BIL LV 30 MAT HV Al MAT LV Al

GALLONS OF OIL TYPE II	263
------------------------	-----

MASS	kg	pounds
CORE & COIL UNTANKING (HEAVIEST PIECE)	1603	3533
TANK	790	1741
LIQUID OIL TYPE II	895	1972
TOTAL WT	3288	7246

TAP CHANGER		
TAP POS	VOLTAGE	65°C AMPS
1/A	13860	41.7
2/B	13530	42.7
3/C	13200	43.7
4/D	12870	44.9
5/E	12540	46.0

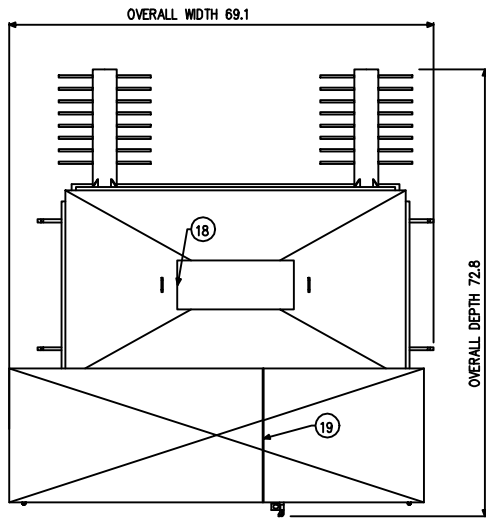


DOE 10 CFR PART 431 10/12/07 COMPLIANT  
 MAXIMUM OPERATING PRESSURES OF LIQUID PRESERVATION SYSTEM: 48kPa (7 lbf/in<sup>2</sup>) POSITIVE AND 34 kPa (5 lbf/in<sup>2</sup>) NEGATIVE  
 TANK DESIGNED FOR 48kPa (7 lbf/in<sup>2</sup>) VACUUM FILLING  
 LIQUID LEVEL BELOW TOP SURFACE OF THE HIGHEST POINT OF THE HIGHEST HANDHOLE FLANGE AT 25°C IS 132 mm (5.2 in)  
 LIQUID LEVEL CHANGES 8 mm (0.3 in) PER 10°C CHANGE IN LIQUID TEMPERATURE  
 PERCENT IMPEDANCE STATED ABOVE AT RATED VOLTS AT 1000 KVA  
 CAUTION BEFORE OPERATING READ INSTRUCTION GEI-79025M  
 CONTAINS NO DETECTABLE LEVEL OF PCB (LESS THAN 1 PPM) AT THE TIME OF MANUFACTURE

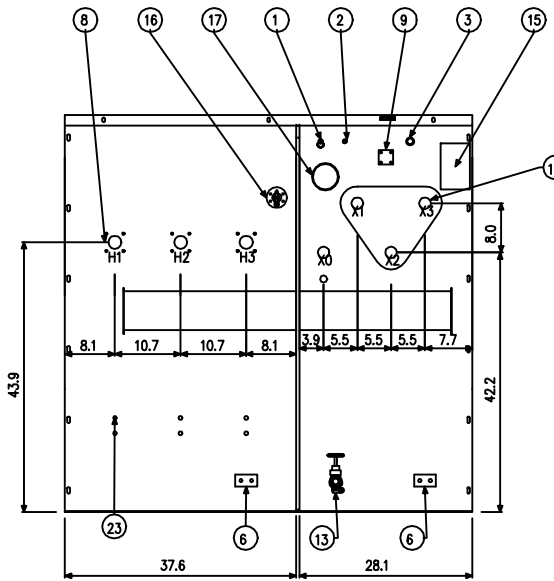
MADE IN MEXICO PROLEC GE INTERNACIONAL S. DE R.L. DE C.V. www.prolecge.com

IMPEDANCE MEETS ANSI STANDARDS  
 WITH TOLERANCE OF +/-7.5%  
 ACTUAL TESTED IMPEDANCE WILL BE  
 STAMPED ON NAME PLATE

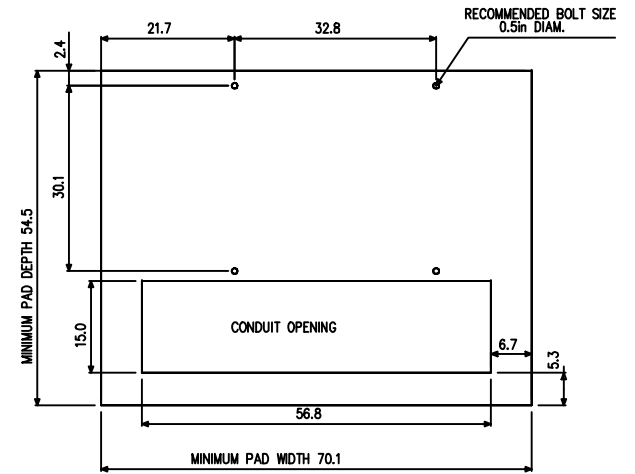
REV.	Draftman : AUDI	Customer/Project Name : UNCODED-ED&C6D3	Cat. Number :
	Review: IMS	Title : NAMEPLATE	
	App: IMS	Description : 1000 KVA, 3 PHASE, 60 HERTZ, 13200-480Y/277 VOLT 65 °C DELTA - WYE COOLING ONAN	
	Sheet 1 of 1	DRAWING NUMBER: RF1974C0A	
Rev. 0			



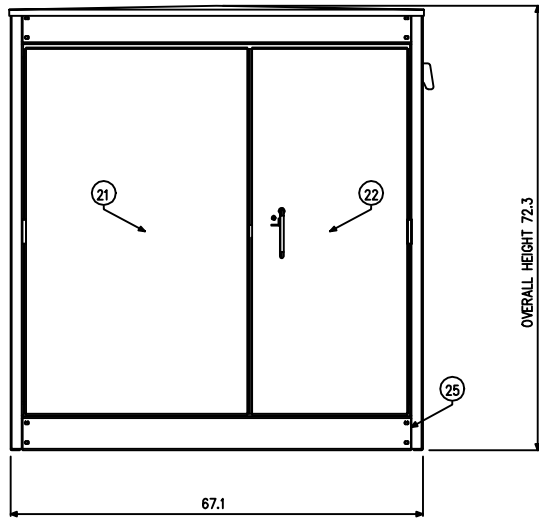
TOP VIEW



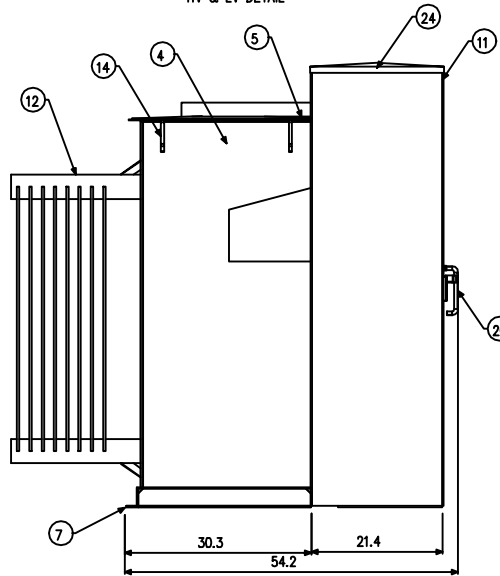
HV & LV DETAIL



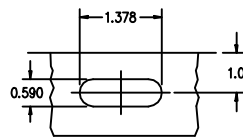
MOUNTING PAD--SUGGESTED MINIMUM SIZE



FRONT VIEW



SIDE VIEW



ANCHORING DETAIL

COLOR: MUNSELL GREEN 7GY 3.291.5

1	PRESSURE RELIEF VALVE, QUALITROL 202-032-01 50 SCFM
2	PROVISION FOR PRESSURE VACUUM GAUGE
3	1 INCH FILL PROVISION
4	TANK (MILD STEEL)
5	TANK COVER
6	GROUND PADS
7	BASE (MILD STEEL)
8	LIVE FRONT PORCELAIN BUSHING WITH 3 HOLE BLADE 95KVBL 200A
9	LIQUID LEVEL GAUGE
10	LV BUSHING 1" STUD WITH 6 HOLE BLADE 30KVBL 1500A
11	CABINET (MILD STEEL)
12	RADIATORS (MILD STEEL)
13	1" DRAIN VALVE WITH 3/8" SAMPLER HJ DY1000-001-FB
14	LIFTING LUGS
15	ANODIZED ALUMINUM NAMEPLATE
16	TAP CHANGER
17	THERMOMETER
18	HAND HOLE 8"X19"
19	REMOVABLE PARTITION
20	DOOR HANDLE WITH PROVISION FOR PADLOCK
21	HV DOOR W/PENTA HEAD BOLT
22	LV DOOR W/PENTA HEAD BOLT
23	ARRESTORS PROVISIONS
24	CABINET REMOVABLE HOOD
25	REMOVABLE SILL (MILD STEEL)

Note: Overall Dimensions are nominal with tolerance of +/- 0.5 all other dimensions have a tolerance of +/- 0.1

TRANSFORMER WEIGHTS

CORE & COIL	3 533 LBS
TANK AND FITTINGS	1 741 LBS
263 GALLONS OF OIL	1 972 LBS
TOTAL WEIGHT	7 246 LBS

http://www.prolecge.com

DESIGNED TO OPERATE BELOW 3300.0 FEET ABOVE SEA LEVEL

Draftman	AUDI	Customer:	UNCODED--ED&C6D3	REQ. NO. :
REV:	IMS			
App:	IMS			
Scale:	1:26			
Dimensions in	inch			
Date:	10/18/2013			
Rev:	0			
		Title:	OUTLINE DRAWING 1000 KVA, 3 PHASE, 60 HERTZ, 13200-480Y/277 VOLT 65 oC, DELTA - WYE COOLING ONAN	
				Drawing No. RFI97401B801



UNIT 65

UNIT 65

UNIT 66

**WARNING**  
⚡  
DANGER OF ELECTRIC SHOCK  
OR FATALITY  
SEE INSTRUCTIONS FOR  
SAFETY PRECAUTIONS

⚡  
DANGER OF ELECTRIC SHOCK  
OR FATALITY  
SEE INSTRUCTIONS FOR  
SAFETY PRECAUTIONS

INSTALL  
LOCK HERE  
←

DO NOT OPEN THIS  
DOOR FROM THE  
OUTER SIDE