

TRANSFORMER DATA SHEET

DATE : 12/23/2013
 CUSTOMER : HVES
 CIRCUIT/LOCATION : HVES 64
 MANUFACTURER : GE Prolec
 TRANSFORMER TYPE : Pad Mount CLASS : ONAN
 S/N : M13J21246
 THREE PHASE SINGLE PHASE : 60 HERTZ

VOLTAGE RATING: 13200 Delta-480Y/277 LV WINDING: ALUMINUM
 KVA RATING: 1000 Continuous, Self Cooled HV WINDING: ALUMINUM
 Continuous, Forced Air LV: 65°C rise, BIL: 30 kV
 HV: 65°C rise, BIL: 95 kV

NAMEPLATE DATA

Core & Coils	3533
Case & Fittings	1741
Oil in Gallons	263/1972
Weight in Pounds	7246

Impedance volts : 6.17 % at rated volts at : 1000 KVA

TRANSFORMER TEST DATA

MEGGER TEST RESULTS

	1 Minute			POLARIZATION INDEX	CAPACITANCE in MICRO-FARAD
High-> Ground		M-Ohms, @	5	kV DC	
Low -> Ground		M-Ohms, @	1	kV DC	
High-> Low		M-Ohms, @	1	kV DC	

TRANSFORMER TTR TESTS

TAP (V)	CALC. TTR	PHASE 1	PHASE 2	PHASE 3
13860	50.013			
13530	48.822			
13200	47.631			
12870	46.441			
12540	45.250			

COMMENTS

Tag
 Date of manufacture: 12/2013
 Stored at Daves's Yard



3 PHASE PADMOUNTED TRANSFORMER CLASS ONAN
 65°C RISE 60 HERTZ MFG DATE SER

KVA 1000

IMPEDANCE @ 85°C
 RATED VOLTS %

HV 13200

ORDER NUM RF1974

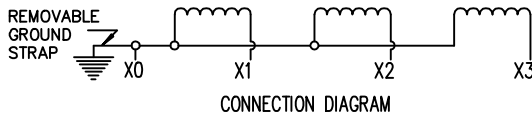
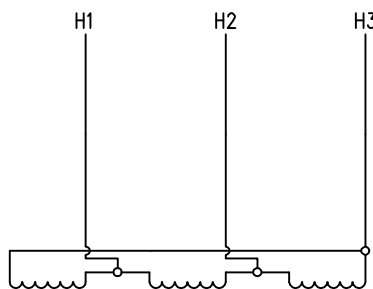
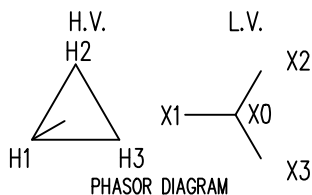
LV 480Y/277

BIL HV 95 BIL LV 30 MAT HV Al MAT LV Al

GALLONS OF OIL TYPE II	263
------------------------	-----

MASS	kg	pounds
CORE & COIL UNTANKING (HEAVIEST PIECE)	1603	3533
TANK	790	1741
LIQUID OIL TYPE II	895	1972
TOTAL WT	3288	7246

TAP CHANGER		
TAP POS	VOLTAGE	65°C AMPS
1/A	13860	41.7
2/B	13530	42.7
3/C	13200	43.7
4/D	12870	44.9
5/E	12540	46.0

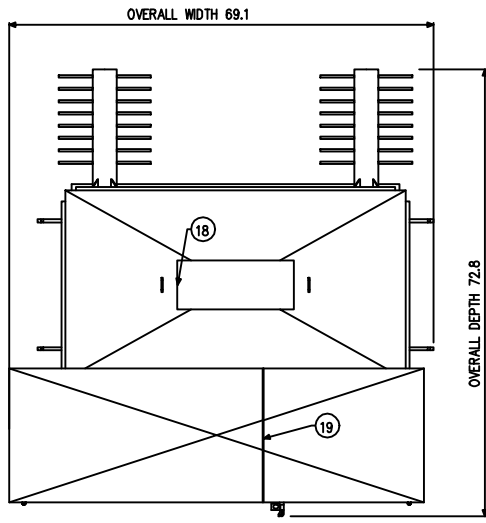


DOE 10 CFR PART 431 10/12/07 COMPLIANT
 MAXIMUM OPERATING PRESSURES OF LIQUID PRESERVATION SYSTEM: 48kPa (7 lbf/in²) POSITIVE AND 34 kPa (5 lbf/in²) NEGATIVE
 TANK DESIGNED FOR 48kPa (7 lbf/in²) VACUUM FILLING
 LIQUID LEVEL BELOW TOP SURFACE OF THE HIGHEST POINT OF THE HIGHEST HANDHOLE FLANGE AT 25°C IS 132 mm (5.2 in)
 LIQUID LEVEL CHANGES 8 mm (0.3 in) PER 10°C CHANGE IN LIQUID TEMPERATURE
 PERCENT IMPEDANCE STATED ABOVE AT RATED VOLTS AT 1000 KVA
 CAUTION BEFORE OPERATING READ INSTRUCTION GEI-79025M
 CONTAINS NO DETECTABLE LEVEL OF PCB (LESS THAN 1 PPM) AT THE TIME OF MANUFACTURE

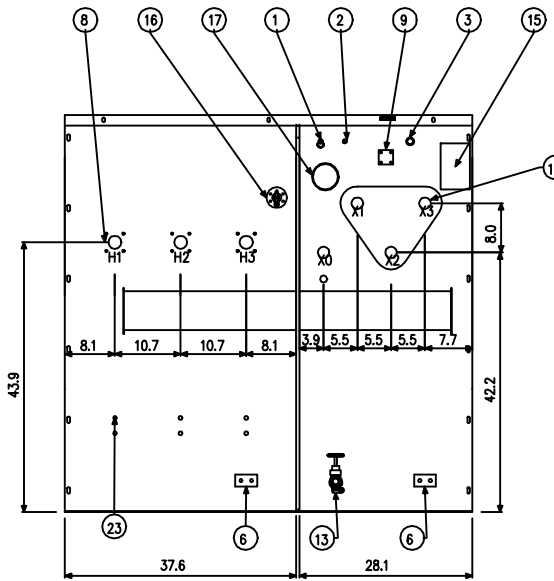
MADE IN MEXICO PROLEC GE INTERNACIONAL S. DE R.L. DE C.V. www.prolecge.com

IMPEDANCE MEETS ANSI STANDARDS
 WITH TOLERANCE OF +/-7.5%
 ACTUAL TESTED IMPEDANCE WILL BE
 STAMPED ON NAME PLATE

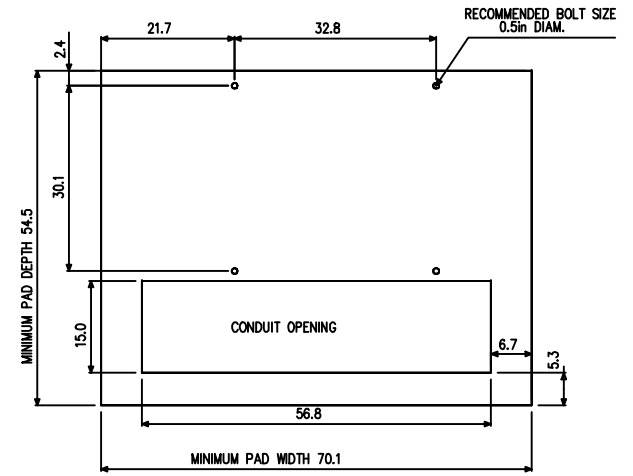
REV.	Draftman : AUDI	Customer/Project Name : UNCODED-ED&C6D3	Cat. Number :
	Review: IMS	Title : NAMEPLATE	
	App: IMS	Description : 1000 KVA, 3 PHASE, 60 HERTZ, 13200-480Y/277 VOLT 65 °C DELTA - WYE COOLING ONAN	
	Sheet 1 of 1	DRAWING NUMBER: RF1974C0A	
Rev. 0			



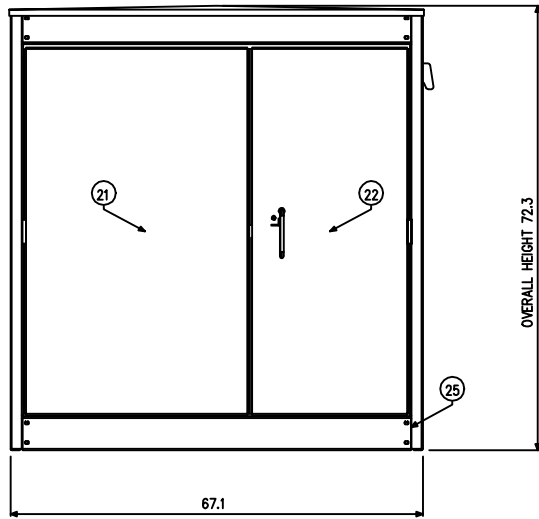
TOP VIEW



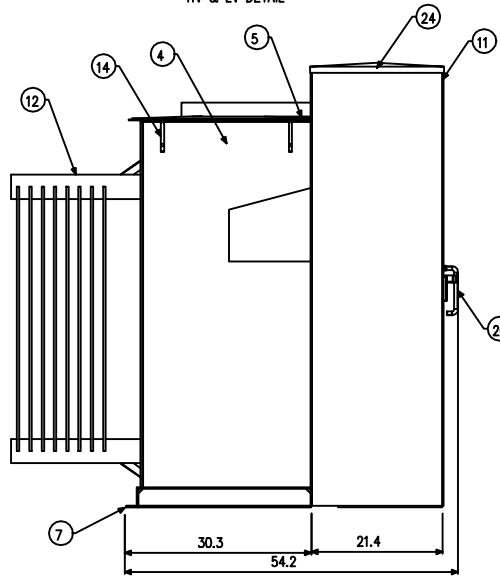
HV & LV DETAIL



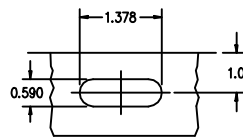
MOUNTING PAD-SUGGESTED MINIMUM SIZE



FRONT VIEW



SIDE VIEW



ANCHORING DETAIL

COLOR: MUNSELL GREEN 7GY 3.291.5

1	PRESSURE RELIEF VALVE, QUALITROL 202-032-01 50 SCFM
2	PROVISION FOR PRESSURE VACUUM GAUGE
3	1 INCH FILL PROVISION
4	TANK (MILD STEEL)
5	TANK COVER
6	GROUND PADS
7	BASE (MILD STEEL)
8	LIVE FRONT PORCELAIN BUSHING WITH 3 HOLE BLADE 95KVBL 200A
9	LIQUID LEVEL GAUGE
10	LV BUSHING 1" STUD WITH 6 HOLE BLADE 30KVBL 1500A
11	CABINET (MILD STEEL)
12	RADIATORS (MILD STEEL)
13	1" DRAIN VALVE WITH 3/8" SAMPLER HJ DY1000-001-FB
14	LIFTING LUGS
15	ANODIZED ALUMINUM NAMEPLATE
16	TAP CHANGER
17	THERMOMETER
18	HAND HOLE 8"X19"
19	REMOVABLE PARTITION
20	DOOR HANDLE WITH PROVISION FOR PADLOCK
21	HV DOOR W/PENTA HEAD BOLT
22	LV DOOR W/PENTA HEAD BOLT
23	ARRESTORS PROVISIONS
24	CABINET REMOVABLE HOOD
25	REMOVABLE SILL (MILD STEEL)

Note: Overall Dimensions are nominal with tolerance of +/- 0.5 all other dimensions have a tolerance of +/- 0.1

TRANSFORMER WEIGHTS

CORE & COIL	3 533 LBS
TANK AND FITTINGS	1 741 LBS
263 GALLONS OF OIL	1 972 LBS
TOTAL WEIGHT	7 246 LBS

http://www.prolecge.com

DESIGNED TO OPERATE BELOW 3300.0 FEET ABOVE SEA LEVEL

Draftman	AUDI	Customer:	UNCODED-ED&C6D3	REQ. NO. :
REV:	IMS			
App:	IMS			
Scale:	1:26			
Dimensions in	inch			
Date:	10/18/2013			
Rev:	0			
		Title:	OUTLINE DRAWING 1000 KVA, 3 PHASE, 60 HERTZ, 13200-480Y/277 VOLT 65 oC, DELTA - WYE COOLING ONAN	
				Drawing No. RFI97401B801

