

TRANSFORMER DATA SHEET

DATE : 10/23/1998
 CUSTOMER : HVES
 CIRCUIT/LOCATION : HVES 6
 MANUFACTURER : Alstom
 TRANSFORMER TYPE : Pad Mount CLASS : OA
 S/N : PDJ-1212
 THREE PHASE SINGLE PHASE : 60 HERTZ

VOLTAGE RATING: 480 Delta - 208Y/120 LV WINDING: ALUMINUM
 KVA RATING: 1000 Continuous, Self Cooled HV WINDING: ALUMINUM
 1120 Continuous, Forced Air LV: 55°C rise, BIL: 30 kV
 HV: 65°C rise, BIL: 30 kV

NAMEPLATE DATA

Core & Coils	2651
Case & Fittings	3102
Oil in Gallons	352/2597
Weight in Pounds	8350

Impedance volts : 7.34 % at rated volts at : 1000 KVA

TRANSFORMER TEST DATA

MEGGER TEST RESULTS

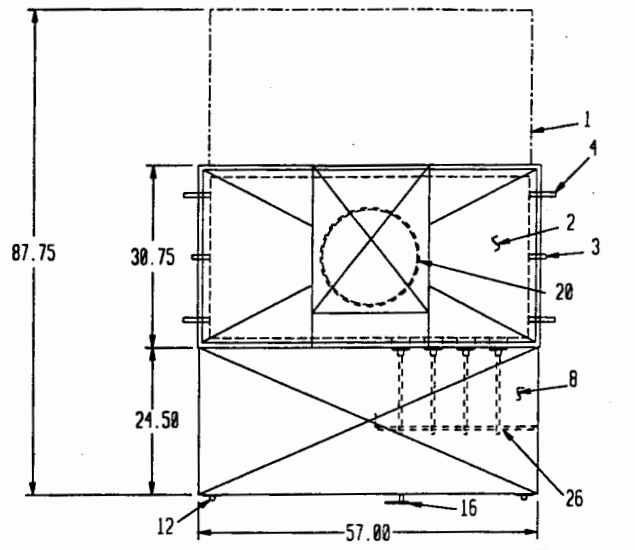
	1 Minute			POLARIZATION INDEX	CAPACITANCE in MICRO-FARAD	
High-> Ground	44.6k	M-Ohms, @	1	kV DC	1.14	0.01
Low -> Ground	52.0k	M-Ohms, @	0.5	kV DC	1.50	0.02
High-> Low	170.0k	M-Ohms, @	0.5	kV DC	1.99	0.03

TRANSFORMER TTR TESTS

TAP (V)	CALC. TTR	PHASE 1	PHASE 2	PHASE 3
480	4.000	3.999	4.000	3.999

COMMENTS

Tag 10463
 Date of manufacture: n/a
 Stored at Dave's Yard

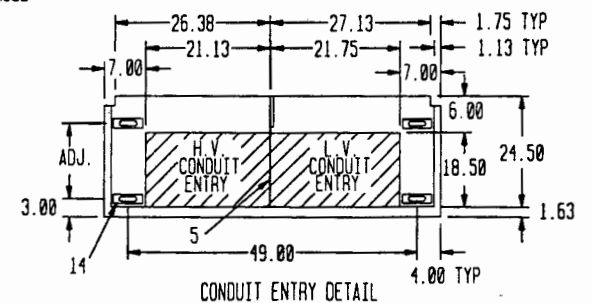
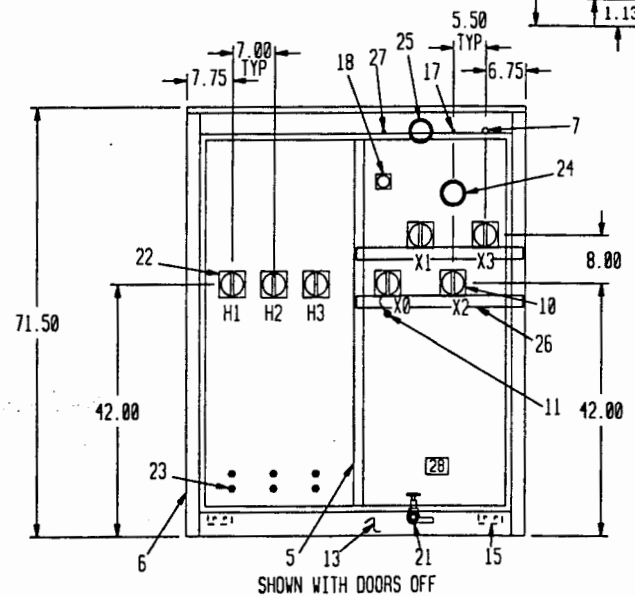
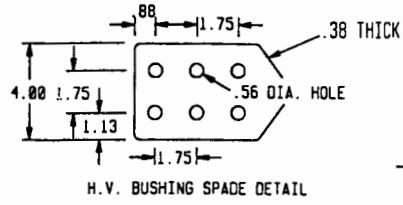
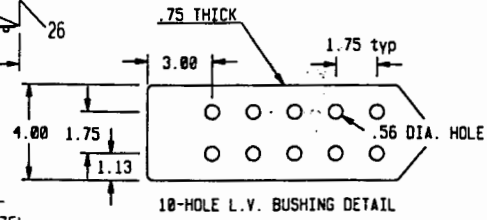


TOTAL WT. : 8350 LBS.
 TOTAL LIQ. : 352 GALS.
 TYPE LIQ. : OIL
 PAINT: PADMOUNT GREEN

CUST. : HIGH VOLTAGE ELECTRIC
 P.O.# : 81798-GM
 P.N. : D041830-D1870
 KVA. : 1000/1120
 H.V. : 480 DELTA (30 KV BIL)
 L.V. : 208Y/120 (30 KV BIL)
 TAPS : NONE

-DESIGNED FOR STEP-UP DUTY

1. COOLING PANELS (FLAT PANELS IN A COMMON HEADER)
2. TRANSFORMER TANK WITH WELDED COVER DOMED TO SHED WATER
3. JACK LUGS
4. LIFT LUGS FOR LIFTING TRANSFORMER COMPLETE WITH LIQUID
5. DIVIDER BETWEEN H.V. & L.V. COMPARTMENTS
6. H.V. & L.V. COMPARTMENT INTERNALLY BOLTED TO TANK FLANGE
7. H.V. DOOR IS SECURED BY BOLTS ACCESSIBLE AFTER L.V. DOOR IS OPENED
8. 1" FILL PLUG & UPPER FILTER PRESS CONNECTION
9. REMOVABLE COMPARTMENT COVER
10. CORROSION RESISTANT NAMEPLATE & CONNECTION DIAGRAM ON THE LV DOOR
11. L.V. BUSHING WITH SPADE TERMINAL (.56 DIA. HOLES ON A 1.75 SQUARE)
12. 1/2-13 TAPPED GROUND PAD WITH GROUND STRAP
13. LIFT-OFF TYPE STAINLESS STEEL HINGES WITH 3/8 PINS
14. REMOVABLE FRONT SILL TO PERMIT SLIDING COMP'T OVER ENTRANCE CONDUIT
15. ADJUSTABLE MOUNTING PLATE WITH .81 X 3.00 SLOTS
16. NEMA GROUND PADS WITH (2) 1/2-13 TAPPED HOLES
17. PADLOCKABLE DOORHANDLE WITH 3-POINT LATCH AND CAPTIVE LOCKBOLT
18. PRESSURE RELIEF VALVE
19. LIQUID LEVEL GAUGE
20. TAMPER PROOF HANDHOLE (16.00 DIA.)
21. 1" DRAIN VALVE & SAMPLER
22. H.V. BUSHING WITH SPADE TERMINAL (.56 DIA. HOLES ON A 1.75 SQUARE)
23. PROVISIONS FOR ARRESTER MOUNTING TAPPED 1/2-13
24. DIAL TYPE THERMOMETER
25. PRESSURE VACUUM GAUGE
26. L.V. BUSHING SUPPORT
27. GAS SAMPLE VALVE (SCHRADER)
28. NON-PCB LABEL



ALSTOM		1000 KVA PADMOUNT OUTLINE	
388 WEST ANTELOPE ROAD, MEDFORD, OREGON, 97503			
S31001	DWG. # 18300-0	55/65°C OA	SHEET 1 OF 1
DATE 1/3/98	DRAWN R. DENN	APPROVED [Signature]	SCALE: 1/4" = 1'-0" TYP. FRAMING: 3/4" = 1'-0"

UNIT #6

UNIT 6 NON PCB
1000KVA WT = 8350 LBS
480 DELTA / 208Y - 120

