

TRANSFORMER DATA SHEET

DATE : 07/26/2012  
 CUSTOMER : HVES  
 CIRCUIT/LOCATION : HVES 59  
 MANUFACTURER : GE Prolec  
 TRANSFORMER TYPE : Oil Filled CLASS : ONAN  
 S/N : M12F16917  
 THREE PHASE  SINGLE PHASE  : 60 HERTZ

VOLTAGE RATING: 13200 Delta - 480Y/277 LV WINDING: ALUMINUM  
 KVA RATING: 2500 Continuous, Self Cooled HV WINDING: ALUMINUM  
 Continuous, Forced Air LV: 65°C rise, BIL: 30 kV  
 HV: 65°C rise, BIL: 95 kV

NAMEPLATE DATA

Core & Coils	7315
Case & Fittings	3548
Oil in Gallons	437/3275
Weight in Pounds	14138

Impedance volts : 5.62 % at rated volts at : 2500 KVA

**TRANSFORMER TEST DATA**

MEGGER TEST RESULTS

POLARIZATION  
INDEX

CAPACITANCE in  
MICRO-FARAD

	1 Minute				
High-> Ground	<input type="text"/>	M-Ohms, @	<input type="text"/>	kV DC	<input type="text"/>
Low -> Ground	<input type="text"/>	M-Ohms, @	<input type="text"/>	kV DC	<input type="text"/>
High-> Low	<input type="text"/>	M-Ohms, @	<input type="text"/>	kV DC	<input type="text"/>

TRANSFORMER TTR TESTS

TAP (V)	CALC. TTR	PHASE 1	PHASE 2	PHASE 3
14400	52.000	51.99	51.99	51.99
13800	49.778	49.76	49.77	49.77
13200	47.667	47.66	47.66	47.65
12870	46.444	46.43	46.44	46.44
12540	45.222	45.21	45.22	45.21

COMMENTS

Tag 11324  
 Date of manufacture: 07/2012  
 Stored at Daves's Yard

# PROLEC



3 PHASE      PADMOUNTED TRANSFORMER      CLASS ONAN  
 65°C    RISE    60 HERTZ    MFG DATE      SER

KVA 2500

IMPEDANCE @ 85°C      %  
 RATED VOLTS

HV 13200

ORDER NUM RDR355

LV 480Y/277

BIL HV 95

BIL LV 30

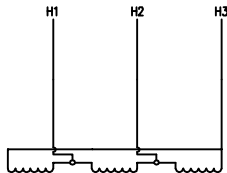
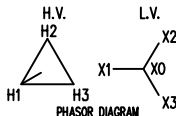
MAT HV AI

MAT LV AI

GALLONS OF OIL TYPE I	4.37
-----------------------	------

MASS	kg	pounds
CORE & COIL (UNWINDING (NEAREST FEED))	3319	7315
TANK	1610	3548
LIQUID OIL TYPE I	1486	3275
TOTAL WT	6415	14138

TAP CHANGER		
TAP POS	VOLTAGE	85°C AMPS
1/A	14400	100.2
2/B	13800	104.6
3/C	13200	109.3
4/D	12870	112.2
5/E	12540	115.1



CONNECTION DIAGRAM



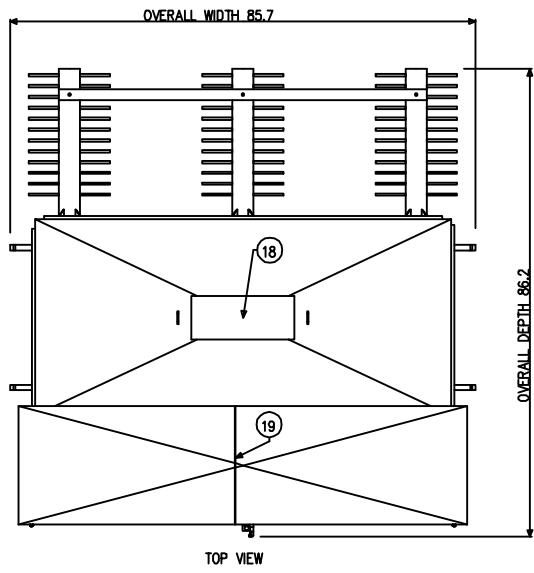
DOE 10 CFR PART 431 10/10/07 COMPLIANT  
 MAXIMUM OPERATING PRESSURES OF LIQUID PRESERVATION SYSTEM: 48psi (7.0 lb/in<sup>2</sup>) POSITIVE AND 34 psi (5.0 lb/in<sup>2</sup>) NEGATIVE  
 TANK DESIGNED FOR 48psi (7.0 lb/in<sup>2</sup>) VACUUM FLUKE  
 LIQUID LEVEL BELOW TOP SURFACE OF THE HIGHEST POINT OF THE HIGHEST WINDING FLANGE AT 85°C IS 132 mm (5.2 in)  
 LIQUID LEVEL CHANGES 8 mm (0.3 in) PER 1°C CHANGE IN LIQUID TEMPERATURE  
 PERCENT IMPEDANCE STATED ABOVE AT RATED VOLTS AT 2500 KVA  
 CAUTION BEFORE OPERATING READ INSTRUCTION SHEET CAREFULLY

CONTAINS NO DETECTABLE LEVEL OF PCB (LESS THAN 1 PPM) AT THE TIME OF MANUFACTURE  
 MADE IN MEXICO    PROLEC DE INTERNACIONAL S. DE R.L. DE C.V.    www.prolecege.com

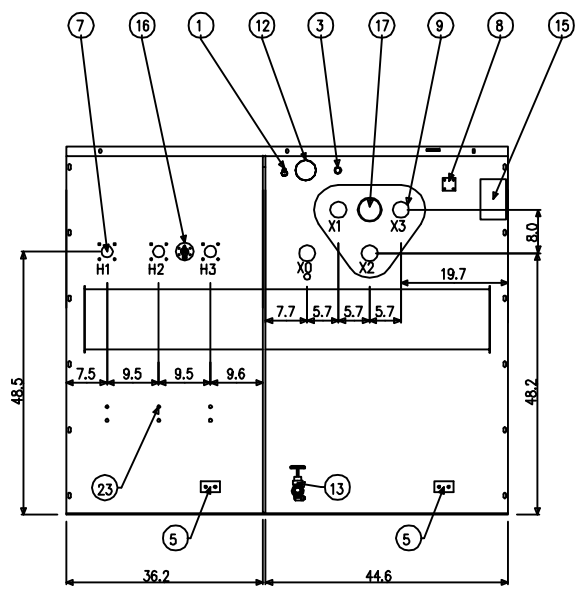
IMPEDANCE MEETS ANSI STANDARDS  
 WITH TOLERANCE OF +/-7.5%  
 ACTUAL TESTED IMPEDANCE WILL BE  
 STAMPED ON NAME PLATE

Draftsman : AJDI	Customer/Project Name : HIGH VOLTAGE ELECTRIC	Dist. Number :
Reviewer : JRDG	Title : NAMEPLATE	
Appr : JRDG	Description : 2500 KVA, 3 PHASE, 60 HERTZ, 13200-480Y/277 VOLT 65 AC DELTA - WYE COOLING ONAN	
Sheet 1 of 1		DRAWING NUMBER: RDR355COA
Rev. 0		

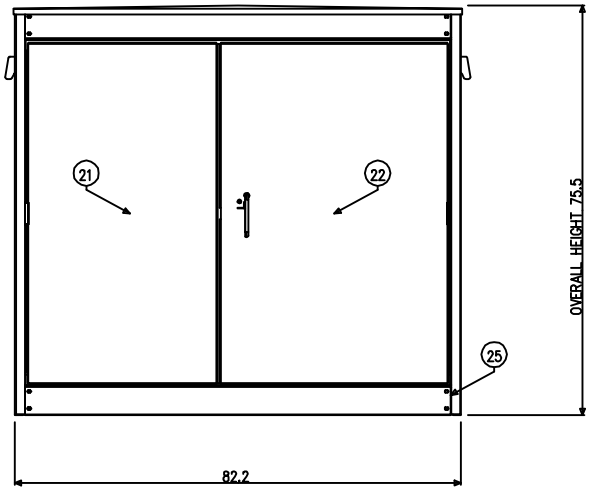
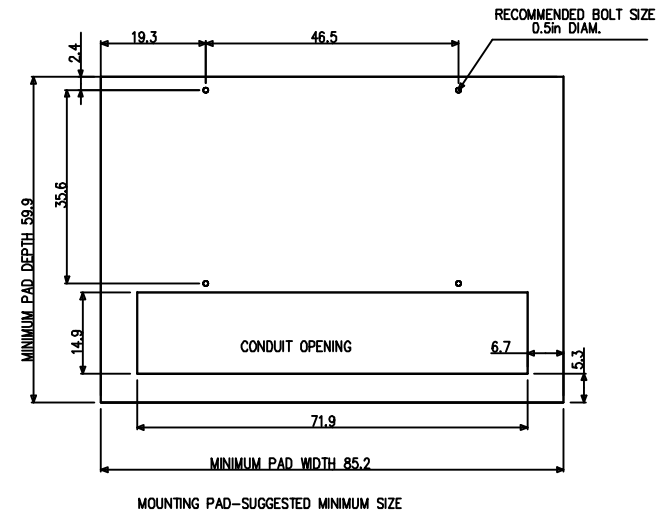
REV.



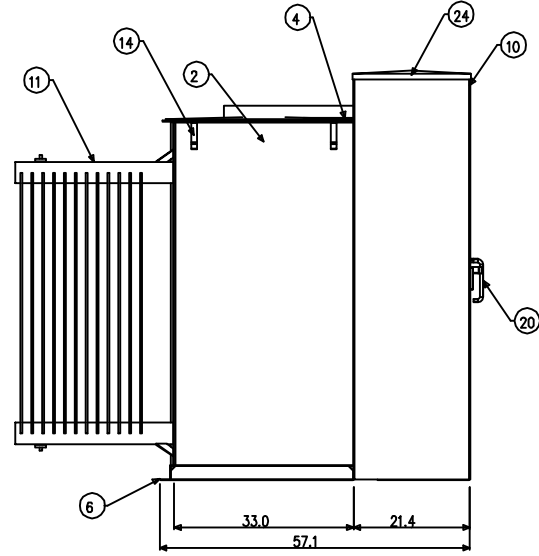
TOP VIEW



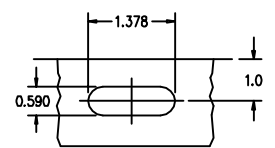
HV & LV DETAIL



FRONT VIEW



SIDE VIEW



ANCHORING DETAIL

1	PRESSURE RELIEF VALVE, QUALITROL 202-032-01 50 SCFM
2	TANK (MILD STEEL)
3	1 INCH FILL PROVISION
4	TANK COVER
5	GROUND PADS
6	BASE (MILD STEEL)
7	LIVE FRONT PORCELAIN BUSHING WITH 3 HOLE BLADE 95KVBI 200A
8	LIQUID LEVEL GAUGE
9	LV BUSHING 8 HOLE BLADE 30KVBI 4515A
10	CABINET (MILD STEEL)
11	RADIATORS (MILD STEEL)
12	PRESSURE VACUUM GAUGE
13	1" DRAIN VALVE WITH 3/8" SAMPLER IN L.V.
14	LIFTING LUGS
15	ANODIZED ALUMINUM NAMEPLATE
16	TAP CHANGER
17	THERMOMETER
18	HAND HOLE 8"X19"
19	REMOVABLE PARTITION
20	DOOR HANDLE WITH PROVISION FOR PADLOCK
21	HV DOOR W/PENTA HEAD BOLT
22	LV DOOR W/PENTA HEAD BOLT
23	ARRESTORS PROVISIONS
24	CABINET REMOVABLE HOOD
25	REMOVABLE SILL (MILD STEEL)

Note: Overall Dimensions are nominal with tolerance of +/- 0.5 all other dimensions have a tolerance of +/- 0.1  
<http://www.prolecge.com>

TRANSFORMER WEIGHTS	
CORE & COIL	7 315 LBS
TANK AND FITTINGS	3 548 LBS
437 GALLONS OF OIL	3 275 LBS
TOTAL WEIGHT	14 138 LBS

DESIGNED TO OPERATE BELOW 3300.0 FEET ABOVE SEA LEVEL

Draftman	AUDI
REV:	JRBG
App:	JRBG
Scale:	1:31
Dimensions in	inch
Date:	9/15/2010
Rev:	0

Customer:	HIGH VOLTAGE ELECTRIC	REQ. NO. :
Title:	OUTLINE DRAWING 2500 KVA, 3 PHASE, 60 HERTZ, 13200-480Y/277 VOLT 65 oC, DELTA - WYE COOLING ONAN	
		Drawing No. RDR35501B801

UNIT 59

INSTALL  
LOCK HERE  
←

DO NOT  
REPLACE THE  
DOOR  
UNTIL  
THE  
DOOR IS  
CLOSED



LIFT USING OTHER SIDE

