

TRANSFORMER DATA SHEET

DATE : 08/08/2011
 CUSTOMER : HVES
 CIRCUIT/LOCATION : HVES 54
 MANUFACTURER : GE Prolec
 TRANSFORMER TYPE : Oil Filled CLASS : OA
 S/N : M11F20369
 THREE PHASE SINGLE PHASE : 60 HERTZ

VOLTAGE RATING: 13200 Delta - 480Y/277
 KVA RATING: 2000 Continuous, Self Cooled
 Continuous, Forced Air
 LV WINDING: ALUMINUM
 HV WINDING: ALUMINUM
 LV: 65°C rise, BIL: 30 kV
 HV: 65°C rise, BIL: 95 kV

NAMEPLATE DATA

Core & Coils
 Case & Fittings
 Oil in Gallons
 Weight in Pounds

Impedance volts : 5.85 % at rated volts at : 2000 KVA

TRANSFORMER TEST DATA

MEGGER TEST RESULTS

1 Minute

High-> Ground M-Ohms, @ kV DC
 Low -> Ground M-Ohms, @ kV DC
 High-> Low M-Ohms, @ kV DC

POLARIZATION
INDEX

CAPACITANCE in
MICRO-FARAD

TRANSFORMER TTR TESTS

TAP (V)	CALC. TTR	PHASE 1	PHASE 2	PHASE 3
13860				
13530				
13200				
12870				
12540				

COMMENTS

Tag 11297

PROLEC



3 PHASE PADMOUNTED TRANSFORMER CLASS ONAN

65°C RISE 60 HERTZ MFG DATE SER

KVA 2000

IMPEDANCE @ 85°C
RATED VOLTS %

HV 13200

ORDER NUM RCX085

LV 480Y/277

BIL HV 95

BIL LV 30

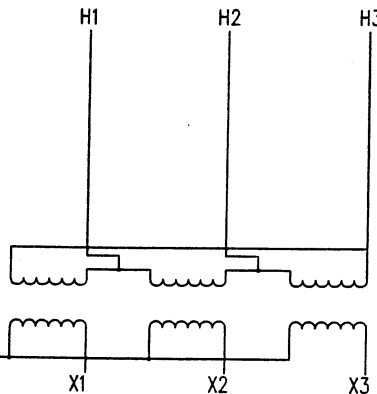
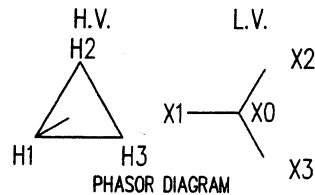
MAT HV Al

MAT LV Al

GALLONS OF OIL TYPE I	400
-----------------------	-----

MASS	kg	pounds
CORE & COIL UNTANKING (HEAVIEST PIECE)	2352	5183
TANK	1773	3907
LIQUID OIL TYPE I	1363	3004
TOTAL WT	5488	12094

TAP CHANGER		
TAP POS	VOLTAGE	65°C AMPS
1/A	13860	83.3
2/B	13530	85.3
3/C	13200	87.5
4/D	12870	89.7
5/E	12540	92.1



REMOVABLE GROUND STRAP

CONNECTION DIAGRAM

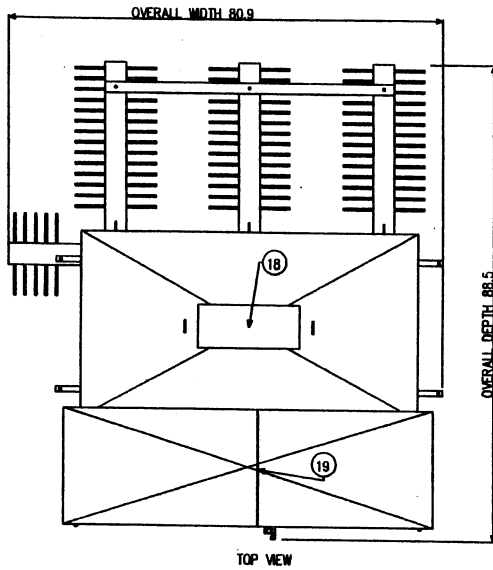
MAXIMUM OPERATING PRESSURES OF LIQUID PRESERVATION SYSTEM: 48kPa (7 lbf/in²) POSITIVE AND 34 kPa (5 lbf/in²) NEGATIVE
 TANK DESIGNED FOR 48kPa (7 lbf/in²) VACUUM FILLING
 LIQUID LEVEL BELOW TOP SURFACE OF THE HIGHEST POINT OF THE HIGHEST HANDHOLE FLANGE AT 25°C IS 132 mm (5.2 in)
 LIQUID LEVEL CHANGES 9 mm (0.3 in) PER 10°C CHANGE IN LIQUID TEMPERATURE
 PERCENT IMPEDANCE STATED ABOVE AT RATED VOLTS AT 2000 KVA
 CAUTION BEFORE OPERATING READ INSTRUCTION GEI-79025M

CONTAINS NO DETECTABLE LEVEL OF PCB (LESS THAN 1 PPM) AT THE TIME OF MANUFACTURE
 MADE IN MEXICO PROLEC GE INTERNACIONAL S. DE R.L. DE C.V. www.prolecge.com

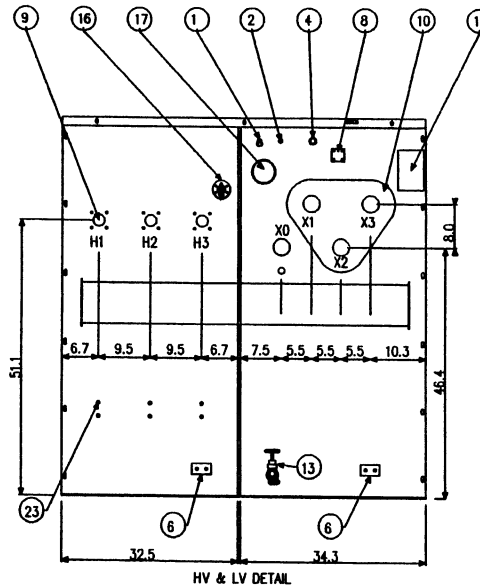
IMPEDANCE MEETS ANSI STANDARDS
 WITH TOLERANCE OF +/-7.5%
 ACTUAL TESTED IMPEDANCE WILL BE
 STAMPED ON NAME PLATE

REV.	Draftman : AUDI	Customer/Project Name : HIGH VOLTAGE ELECTRIC IN	Cat. Number :
	Review: DAT	Title : NAMEPLATE	
	App: DAT	Description : 2000 KVA, 3 PHASE, 60 HERTZ, 13200-480Y/277 VOLT 65 oC DELTA - WYE COOLING ONAN	
	Sheet 1 of 1	DRAWING NUMBER: RCX085C0A	
Rev. 0			

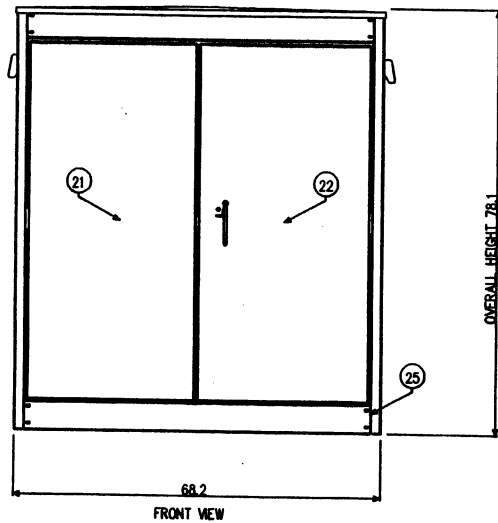
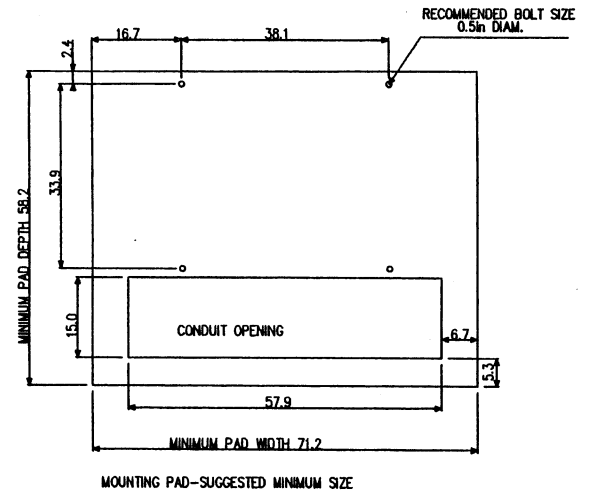




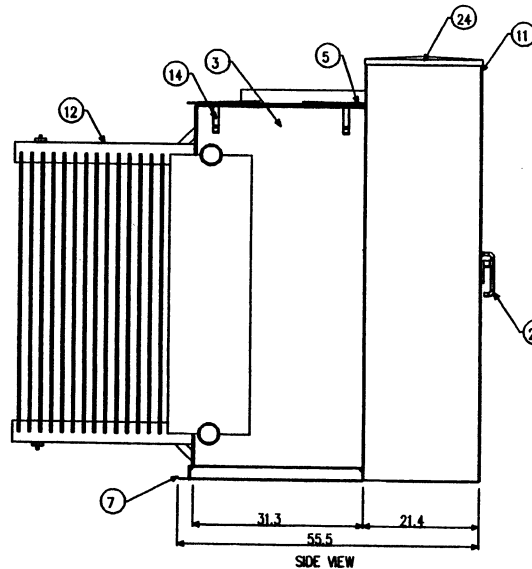
TOP VIEW



HV & LV DETAIL



FRONT VIEW



SIDE VIEW

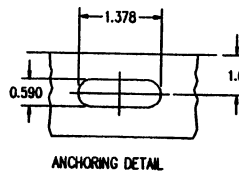
1	PRESSURE RELIEF VALVE, QUALITROL 202-032-01 50 SCFM
2	PROVISION FOR PRESSURE VACUUM GAUGE
3	TANK (MILD STEEL)
4	1 INCH FILL PROVISION
5	TANK COVER
6	GROUND PADS
7	BASE (MILD STEEL)
8	LIQUID LEVEL GAUGE
9	LIVE FRONT PORCELAIN BUSHING WITH 3 HOLE BLADE 95KVBL 200A
10	LV BUSHING TO HOLE BLADESUPPORTED 30KVBL 3300A
11	CABINET (MILD STEEL)
12	RADIATORS (MILD STEEL)
13	1" DRAIN VALVE WITH 3/8" SAMPLER IN L.V.
14	LIFTING LUGS
15	ANODIZED ALUMINUM NAMEPLATE
16	TAP CHANGER
17	THERMOMETER
18	HAND HOLE 8"X19"
19	REMOVABLE PARTITION
20	DOOR HANDLE WITH PROVISION FOR PADLOCK
21	HV DOOR W/PENTA HEAD BOLT
22	LV DOOR W/PENTA HEAD BOLT
23	ARRESTORS PROVISIONS
24	CABINET REMOVABLE HOOD
25	REMOVABLE SILL (MILD STEEL)

Note: Overall Dimensions are nominal with tolerance of +/- 0.5 all other dimensions have a tolerance of +/- 0.1

<http://www.prolecge.com>

TRANSFORMER WEIGHTS


CORE & COIL	5 183 LBS
TANK AND FITTINGS	3 907 LBS
400 GALLONS OF OIL	3 004 LBS
TOTAL WEIGHT	12 094 LBS



ANCHORING DETAIL

DESIGNED TO OPERATE BELOW 3300.0 FEET ABOVE SEA LEVEL

Draftman	AUDI
REV:	DAT
App:	DAT
Scale:	1:29
Dimensions in	inch
Date:	3/12/2009
Rev:	0

Customer:	HIGH VOLTAGE ELECTRIC IN	REQ. NO. :
Title:	OUTLINE DRAWING 2000 KVA, 3 PHASE, 60 HERTZ, 13200-480Y/277 VOLT 65 oC, DELTA - WYE COOLING ONAN	
Drawing No.	PROLEC 	RCX085B801

