

TRANSFORMER DATA SHEET

DATE : 09/12/2014
 CUSTOMER : HVES
 CIRCUIT/LOCATION : HVES 5
 MANUFACTURER : GEC Alsthom
 TRANSFORMER TYPE : Pad Mount CLASS : OA
 S/N : PDB-0188
 THREE PHASE SINGLE PHASE : 60 HERTZ

VOLTAGE RATING: 13200X4800 Delta-480Y/277 LV WINDING: ALUMINUM
 KVA RATING: 1000 Continuous, Self Cooled HV WINDING: ALUMINUM
 Continuous, Forced Air LV: 65°C rise, BIL: 30 kV
 HV: 65°C rise, BIL: 90 kV

NAMEPLATE DATA

Core & Coils	
Case & Fittings	
Oil in Gallons	275
Weight in Pounds	7410

Impedance volts : 5.76 % at rated volts at : 1000 KVA

TRANSFORMER TEST DATA

MEGGER TEST RESULTS

1 Minute

High-> Ground	30k	M-Ohms, @	5	kV DC
Low -> Ground	20k	M-Ohms, @	1	kV DC
High-> Low	15k	M-Ohms, @	1	kV DC

POLARIZATION INDEX

1.56
1.47
1.69

CAPACITANCE in MICRO-FARAD

0.02
0.02
0.02

TRANSFORMER TTR TESTS

TAP (V)	CALC. TTR	PHASE 1	PHASE 2	PHASE 3
14400	51.985			
13800	49.819			
13200	47.653			
12470	45.018			
12000	43.321			
4800	17.328	17.319	17.320	17.322

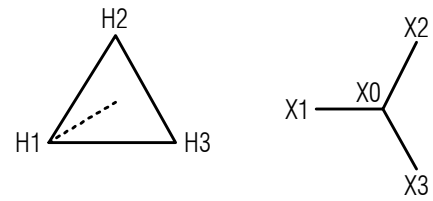
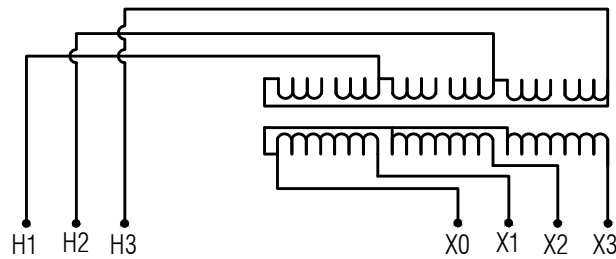
COMMENTS

Tag 10462
 Date of Manufacture 03/1998
 09/2014 TTR Tested on 4800V Tap

KVA 1000 OA/ 65 °C RISE
 HV 13200 X 4800 DELTA BIL 95 KV
 LV 480Y/277 BIL 30 KV
 3 PHASE 60 HZ TRANSFORMER, 5.76 % IZ AT BASE RATING
 COND. HV AL LV AL FLUID OIL GAL. 275 LB. 2030
 ELEMENT WT. 2889 LBS TOTAL WT. 7410 LBS.
 FLUID 10.50 IN. FROM UPPER EDGE OF H/H AT 25° C.
 CHANGES .50 IN. / 10° C. MAX 10.0 PSI POS. 8.0 PSI NEG
 SERIAL # PDB-1088 MANUFACTURED: 03/1998

VOLTS	TAP	MULT VOLT
14440	A	13200
13800	B	13200
13200	C	13200
12470	D	13200
12000	E	13200
4800	A	4800

TAPCHANGER MUST IN 'A' POSITION FOR 4800 VOLTS



NON-PCB

C040919-C1071

COMMENTS/NOTES

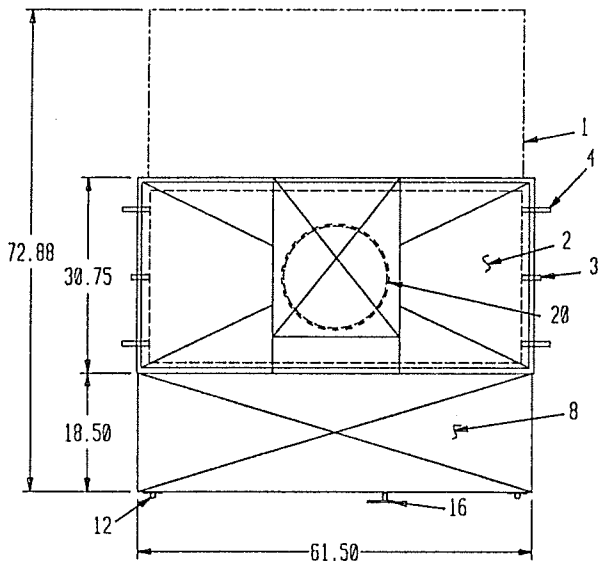
REVISIONS

HVES

GEC ALSTHOM T&D S/N PDB-0188
 HVES 5

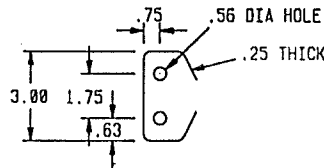
DATE: 04/20/04
 DRAWN BY: L. HERRON



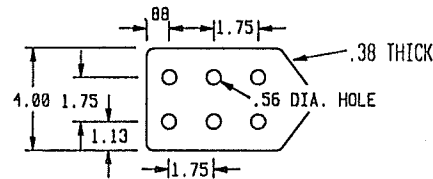


TOTAL WT.: 7410 LBS.
 TOTAL LIQ.: 275 GALS.
 TYPE LIQ.: OIL
 PAINT: PADMOUNT GREEN

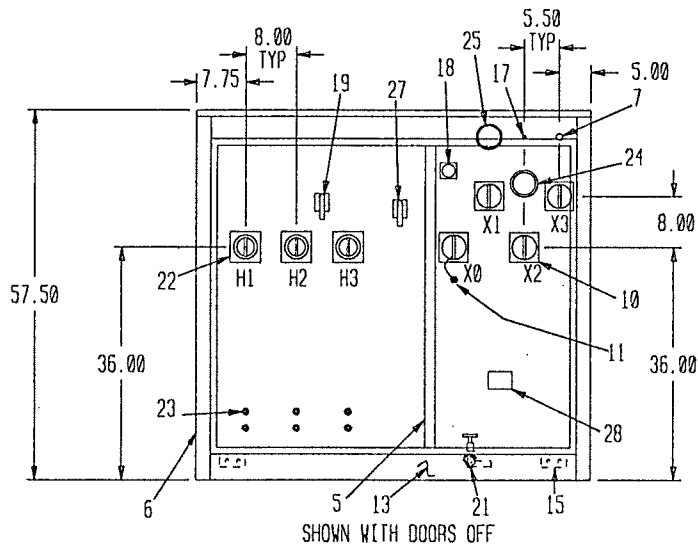
CUST.: HIGH VOLTAGE ELECTRIC
 P.O.#: 121297GM
 P.N.: C040919-C1071
 KVA.: 1000
 H.V.: 13200 X 4800 DELTA (95 KV BIL)
 L.V.: 480Y/277 (30 KV BIL)
 TAPS: 14400, 13800, 13200, 12470, 12000
 TAPS ON 13200 VOLTS ONLY



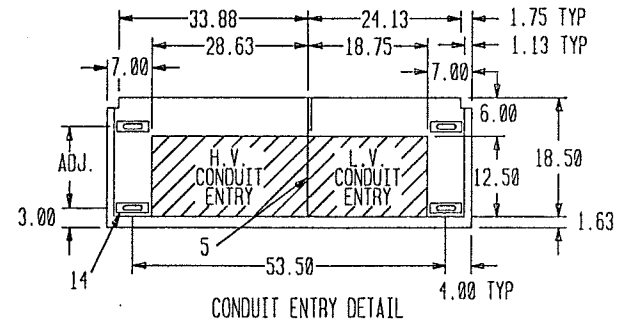
H.V. BUSHING SPADE DETAIL



L.V. BUSHING SPADE DETAIL



1. COOLING PANELS (FLAT PANELS IN A COMMON HEADER)
2. TRANSFORMER TANK WITH WELDED COVER DOMED TO SHED WATER
3. JACK LUGS
4. LIFT LUGS FOR LIFTING TRANSFORMER COMPLETE WITH LIQUID DIVIDER BETWEEN H.V. & L.V. COMPARTMENTS
5. H.V. & L.V. COMPARTMENT INTERNALLY BOLTED TO TANK FLANGE H.V. DOOR IS SECURED BY BOLTS ACCESSIBLE AFTER L.V. DOOR IS OPENED
6. 1" FILL PLUG & UPPER FILTER PRESS CONNECTION
7. REMOVABLE COMPARTMENT COVER
8. CORROSION RESISTANT NAMEPLATE & CONNECTION DIAGRAM ON THE LV DOOR
9. L.V. BUSHING WITH SPADE TERMINAL (.56 DIA. HOLES ON A 1.75 SQUARE)
10. 1/2-13 TAPPED GROUND PAD WITH GROUND STRAP
11. LIFT-OFF TYPE STAINLESS STEEL HINGES WITH 3/8 PINS
12. REMOVABLE FRONT SILL TO PERMIT SLIDING COMP'T OVER ENTRANCE CONDUIT
13. ADJUSTABLE MOUNTING PLATE WITH .81 X 3.00 SLOTS
14. NEMA GROUND PADS WITH (2) 1/2-13 TAPPED HOLES
15. PADLOCKABLE DOORHANDLE WITH 3-POINT LATCH AND CAPTIVE LOCKBOLT
16. PRESSURE RELIEF VALVE
17. LIQUID LEVEL GAUGE
18. DE-ENERGIZED TAPCHANGER
19. TAMPER PROOF HANDHOLE (16.00 DIA.)
20. 1" DRAIN VALVE & SAMPLER
21. H.V. BUSHINGS WITH 2 HOLE G-SPADE CONNECTOR
22. PROVISION FOR ARRESTER MOUNTING
23. DIAL TYPE THERMOMETER
24. PRESSURE VACUUM GAUGE
25. DUAL VOLTAGE SWITCH
26. NON-PCB LABEL



CONDUIT ENTRY DETAIL

GEC ALSTHOM T & D Balteau		1000 KVA PADMOUNT OUTLINE	
300 WEST ANTELOPE ROAD, MEDFORD, OREGON, 97503			
S31001	DWG. # 09190-0	65° C OA	SHEET 1 OF 1
DATE 12/30/97	DRAWN M. KURTZ	APPROVED <i>WJ</i>	SCALE: 3/4" = 1'-0" TOLERANCE: ±.01

