

TRANSFORMER DATA SHEET

DATE : 10/21/2002  
 CUSTOMER : HVES  
 CIRCUIT/LOCATION : HVES 37  
 MANUFACTURER : General Electric  
 TRANSFORMER TYPE : QL CLASS : AA  
 S/N : 9T23B3883  
 THREE PHASE  SINGLE PHASE  : 60 HERTZ

VOLTAGE RATING: 480 Delta - 240 Delta LV WINDING: ALUMINUM  
 KVA RATING: 45 Continuous, Self Cooled HV WINDING: ALUMINUM  
 Continuous, Forced Air LV: 150°C rise, BIL: 10 kV  
 HV: 150°C rise, BIL: 10 kV

NAMEPLATE DATA

Core & Coils	
Case & Fittings	
Oil in Gallons	
Weight in Pounds	360

Impedance volts : 4.0 % at rated volts at : 45 KVA

TRANSFORMER TEST DATA

MEGGER TEST RESULTS

	1 Minute			POLARIZATION INDEX	CAPACITANCE in MICRO-FARAD
High-> Ground	10k	M-Ohms, @	0.5	kV DC	-
Low -> Ground	20k	M-Ohms, @	0.5	kV DC	-
High-> Low	10k	M-Ohms, @	0.5	kV DC	-

TRANSFORMER TTR TESTS

TAP (V)	CALC. TTR	PHASE 1	PHASE 2	PHASE 3
503	2.095	2.094	2.094	2.094
491	2.045	2.044	2.044	2.044
480	2.000	2.000	2.000	2.000
469	1.954	1.952	1.952	1.952
458	1.908	1.907	1.907	1.907
443	1.845	1.845	1.845	1.845
431	1.795	1.796	1.796	1.793

COMMENTS

Tag 10704  
 Date of manufacture: n/a  
 Stored at 6 Seward St.



# Transformer

Catalog Number TYPE QL

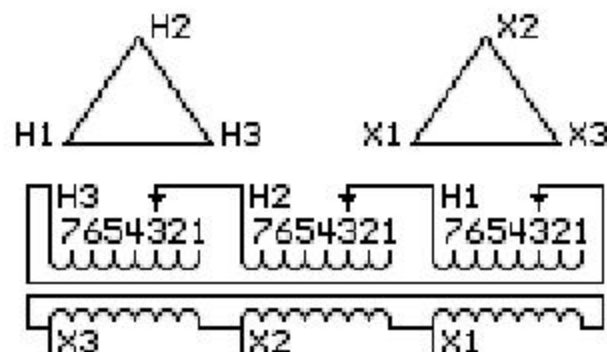
## 9T23B3883

45.0 KVA 60 HZ 3 PH 5 % IMP

40 C AMB. 150 C RISE 220 C SYSTEM IS-19C

PRIMARY (H) 480 VOLTS (LINE-LINE)

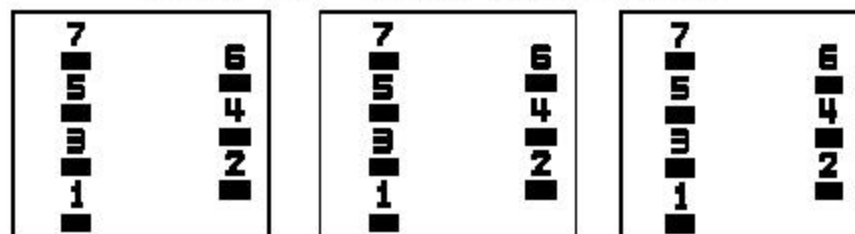
SECONDARY (X) 240 VOLTS (LINE-LINE)



### JUMPER CONNECTION

TAP	VOLTS
1	505
2	491
3	480
4	469
5	455
6	444
7	433

### COIL TAP ARRANGEMENT



LISTED 769G

ENCLOSURE TYPE 2 (IP30). RAINPROOF TYPE 3R ENCLOSURE (IP32) WHEN PROVIDED SHIELD 9T18Y4317G05

Outline: 303B900AAP005

INSPECTION &  
FINAL TEST  
N731&

BEFORE HANDLING, INSTALLING AND OPERATING, SEE INSTRUCTION 475A667AAP001

ALUMINUM CONDUCTOR PRIMARY: 10 KV BIL SECONDARY: 10 KV BIL

IN ACCORDANCE WITH NEC SECTION 450-9, ALLOW AT LEAST SIX INCHES  
CLEARANCE FOR VENTILATION. CHECK ADDITIONAL NEC AND LOCAL CODES.

080107

NET WGT  
365 LB

GE Consumer & Industrial

NEMA CLASS AA DRY TYPE TRANSFORMER

Meets TP-1 1996 efficiency

994

Assembled in Mexico



\*1M000000\*



\*2M000000\*



\*2M000000\*

GENERAL ELECTRIC

9125 B MRS

115	505	455
230	491	446
460	488	433
920	489	

TRANSFORMER

MADE IN U.S.A.

It HAS BEEN INTERNALLY GROUNDED TO THE FRAME AT THE FACTORY. GROUND CONNECTION MAY BE RE-MOVED WHEN NOT REQUIRED.

LISTED



UL

DRY-TYPE POWER TRANSFORMER

769 G



**QHT**<sup>®</sup>

QUIET TRANSFORMERS