

TRANSFORMER DATA SHEET

DATE : 10/17/2002  
 CUSTOMER : HVES  
 CIRCUIT/LOCATION : HVES 35  
 MANUFACTURER : Alstom  
 TRANSFORMER TYPE : Pad Mount CLASS : OA  
 S/N : PHJ-0950  
 THREE PHASE  SINGLE PHASE  : 60 HERTZ

VOLTAGE RATING: 480Y/277 - 208Y/120 LV WINDING: ALUMINUM  
 KVA RATING: 500 Continuous, Self Cooled HV WINDING: ALUMINUM  
 Continuous, Forced Air LV: 65°C rise, BIL: 30 kV  
 HV: 65°C rise, BIL: 30 kV

NAMEPLATE DATA

Core & Coils	1771
Case & Fittings	1588
Oil in Gallons	170/1251
Weight in Pounds	4610

Impedance volts : 5.16 % at rated volts at : 500 KVA

TRANSFORMER TEST DATA

MEGGER TEST RESULTS

POLARIZATION INDEX

CAPACITANCE in MICRO-FARAD

	1 Minute				
High-> Ground	14.0k	M-Ohms, @	1	kV DC	1.46
Low -> Ground	17.4k	M-Ohms, @	0.5	kV DC	1.11
High-> Low	-	M-Ohms, @	-	kV DC	-

TRANSFORMER TTR TESTS

TAP (V)	CALC. TTR	PHASE 1	PHASE 2	PHASE 3
480	2.3083	2.250	2.250	2.280

COMMENTS

Tag 10702  
 Date of manufacture: 10/2002  
 Stored at Dave's Yard

10 Minute Megger Test  
 H-G: 9.60k M-ohms  
 L-G: 15.6k M-Ohms  
 H-L: n/a k M-ohms

TAG(S)

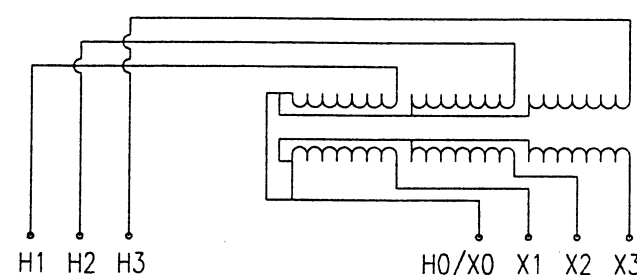
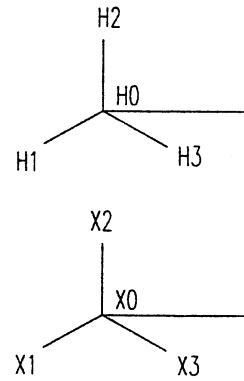
5.50

# ALSTOM

KVA  OA   ° C RISE  
 HV  BIL  KV  
 LV  BIL  KV  
 PHASE  HZ TRANSFORMER,  % IZ AT BASE KVA RATING  
 HV  LV COND. ELEMENT  LBS. TOTAL WEIGHT  LBS.  
 GAL  AT  LBS. LEVEL CHANGES  INCH PER. 10° C.  
 FLUID LEVEL  INCHES FROM TOP OF HAND HOLE AT 25° C.  
 MAX TANK PRESS. POS  NEG  PSI  
 SERIAL #  DATE OF MFG:

INSTRUCTION REFERENCE MANUAL IB9.210

TAPS	A	B	C	D	E		
<input type="text"/>	<input type="text"/>	<input type="text"/>	<input type="text"/>	<input type="text"/>	<input type="text"/>	<input type="text"/>	<input type="text"/>
<input type="text"/> VOLTS	<input type="text"/>	<input type="text"/>	<input type="text"/>	<input type="text"/>	<input type="text"/>	<input type="text"/>	<input type="text"/>
<input type="text"/>	<input type="text"/>	<input type="text"/>	<input type="text"/>	<input type="text"/>	<input type="text"/>	<input type="text"/>	<input type="text"/>

NON-PCB  
H1480971-H8097

300 WEST ANTELOPE ROAD, MEDFORD OREGON 97503-1089 USA

8.00

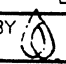
5/32 DIA

MATERIAL (.025) STAINLESS STEEL

REVISIONS

# ALSTOM

300 WEST ANTELOPE ROAD  
MEDFORD, OREGON 97503-1089 USA

NAMEPLATE PART # 52-637-0022-27-00		REVISION
DRAWN BY: LC OTTO		0
APPROVED BY: 	DATE: 9/9/02	SCALE: 1"=1"

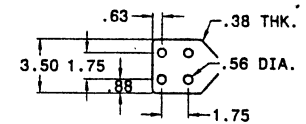
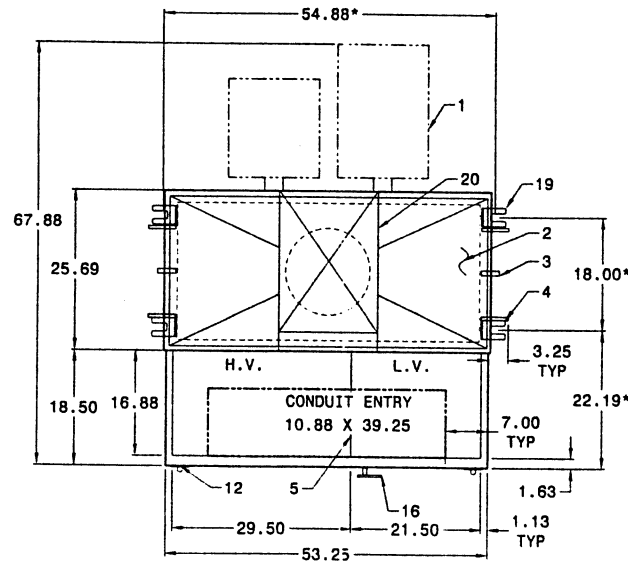
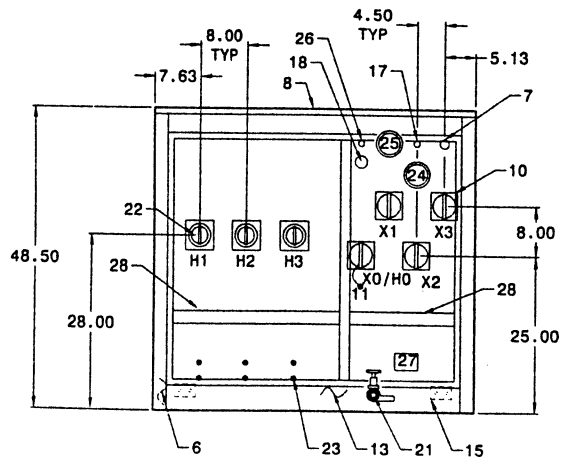
Path: G:\H8097\H80971-NP.dwg, Login: L. OTTO 20020909.10252855

- 1 COOLING PANELS (FLAT PANELS IN A COMMON HEADER)
- 2 TRANSFORMER TANK WITH WELDED COVER DOMED TO SHED WATER
- 3 JACK LUGS
- 4 LIFT LUGS FOR LIFTING TRANSFORMER COMPLETE WITH LIQUID DIVIDER BETWEEN H.V. & L.V. COMPARTMENTS
- 5 DIVIDER BETWEEN H.V. & L.V. COMPARTMENTS
- 6 M.V. & L.V. COMPARTMENT INTERNALLY BOLTED TO TANK FLANGE
- 7 H.V. DOOR IS SECURED BY BOLTS ACCESSIBLE AFTER L.V. DOOR IS OPENED
- 8 1 IN. FILL PLUG & UPPER FILTER PRESS CONNECTION
- 9 REMOVABLE COMPARTMENT COVER
- 10 STAINLESS STEEL NAMEPLATE & CONNECTION DIAGRAM ON L.V. DOOR
- 11 L.V. BUSHING WITH SPADE TERMINAL (SEE DETAIL)
- 12 1/2-13 TAPPED GROUND PAD WITH REMOVABLE GROUND STRAP
- 13 LIFT-OFF TYPE STAINLESS STEEL HINGES WITH 3/8 PINS
- 14 REMOVABLE FRONT SILL TO PERMIT SLIDING COMP'T OVER ENTRANCE CONDUIT
- 15 ADJUSTABLE MOUNTING PLATE WITH .81 x 3.00 SLOTS (NOT SHOWN)
- 16 NEMA GROUND PADS WITH (2) 1/2-13 TAPPED HOLES
- 17 PADLOCKABLE DOOR HANDLE WITH 3-POINT LATCH AND CAPTIVE LOCKBOLT
- 18 PRESSURE RELIEF VALVE
- 19 LIQUID LEVEL GAUGE

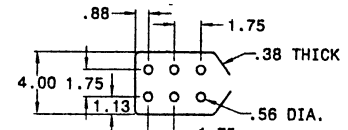
- 19 BOLT DOWN PROVISIONS (1.25 x 2.50 OPEN END SLOT)
- 20 TAMPER PROOF HANDHOLE (14.00 DIA.)
- 21 1 IN. DRAIN VALVE & SAMPLER
- 22 H.V. BUSHING WITH 4-HOLE SPADE CONNECTOR (SEE DETAIL)
- 23 PROVISIONS FOR ARRESTER MOUNTING TAPPED 1/2-13
- 24 DIAL TYPE THERMOMETER
- 25 PRESSURE VACUUM GAUGE
- 26 GAS SAMPLE VALVE (SCHRADER)
- 27 NON-PCB LABEL
- 28 CABLE SUPPORTS

CUSTOMER: HIGH VOLTAGE ELECTRIC SERVICE  
 P.O. : GMB2602  
 P.N. : H1480971-H8097  
 KVA : 500  
 H.V. : 480GY/277 (30 KV BIL)  
 L.V. : 208Y/120 (30 KV BIL)  
 TAPS : NO TAPS  
 LIQUID TYPE : OIL  
 LIQUID VOL : 170 GALS.  
 TOTAL WEIGHT : 4610 LBS.  
 COLOR : PADMOUNT GREEN  
 TEMP : 65°C OA

\* BOLT DOWN PROVISION DIMENSIONS



H.V. BUSHING SPADE DETAIL



L.V. BUSHING SPADE DETAIL

80971

DETR	L. OTTO	
APPD	DATE	9/9/02
DWG	H80971-O	
REVISION	DWG SIZE	SCALE
0	B	5/8"=1'
TOLERANCE:	±0.06	

**ALSTOM**

300 WEST ANTELOPE ROAD  
 MEDFORD, OREGON USA 97503-1089

TITLE: 500 KVA PADMOUNT OUTLINE SHEET 1 OF 1

Path: C:\H0971\H80971-O.dwg, Logic: L:OTTO 20020606.14072575



ALSTOM

UNIT#35

UNIT 35 NON PCB  
500KVA Z=5.1%  
HV 480Y277  
LV 208Y120  
WT=4610 LBS  
NO TAPS  
FULL LOAD AMPS=600 AT480V



UNIT 65

INSTALL  
LOCK HERE  
←

