

TRANSFORMER DATA SHEET

DATE : 09/15/2010
 CUSTOMER : HVES
 CIRCUIT/LOCATION : HVES 30
 MANUFACTURER : GE Prolec
 TRANSFORMER TYPE : Oil Filled Pad Mount CLASS : ONAN
 S/N : M10I14650
 THREE PHASE SINGLE PHASE : 60 HERTZ

VOLTAGE RATING: 34500 Delta - 480Y/277
 KVA RATING: 1000 Continuous, Self Cooled
 Continuous, Forced Air
 LV WINDING: ALUMINUM
 HV WINDING: ALUMINUM
 LV: 65°C rise, BIL: 30 kV
 HV: 65°C rise, BIL: 150 kV

NAMEPLATE DATA

Core & Coils	3973
Case & Fittings	1994
Oil in Gallons	370/2772
Weight in Pounds	8739

Impedance volts : 5.91 % at rated volts at : 1000 KVA

TRANSFORMER TEST DATA

MEGGER TEST RESULTS

	1 Minute			POLARIZATION INDEX	CAPACITANCE in MICRO-FARAD
High-> Ground	<input type="text"/>	M-Ohms, @	<input type="text"/>	kV DC	<input type="text"/>
Low -> Ground	<input type="text"/>	M-Ohms, @	<input type="text"/>	kV DC	<input type="text"/>
High-> Low	<input type="text"/>	M-Ohms, @	<input type="text"/>	kV DC	<input type="text"/>

TRANSFORMER TTR TESTS

TAP (V)	CALC. TTR	PHASE 1	PHASE 2	PHASE 3
36225	130.733	130.816	130.858	130.733
35362	127.600	127.515	127.578	127.600
34500	124.467	124.392	124.442	124.467
33637	121.400	121.325	121.328	121.400
32775	118.267	118.177	118.243	118.267

COMMENTS

Tag 11271
 Date of manufacture: 09/2010
 Stored at Dave's Yard

PROLEC



3 PHASE PADMOUNTED TRANSFORMER CLASS ONAN
 65°C RISE 60 HERTZ MFG DATE SER

KVA 1000

IMPEDANCE @ 85°C
 RATED VOLTS %

HV 34500

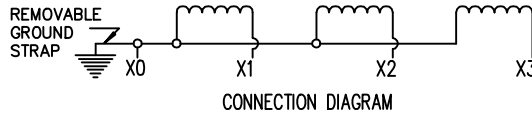
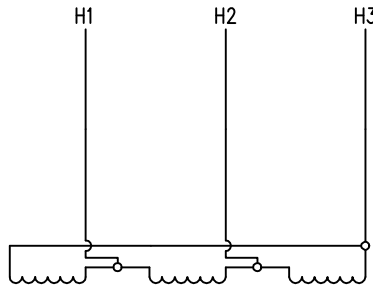
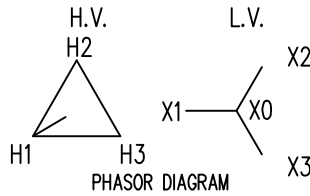
ORDER NUM RDQ171

LV 480Y/277

BIL HV 150 BIL LV 30 MAT HV Al MAT LV Al

GALLONS OF OIL TYPE I	370	
MASS	kg	pounds
CORE & COIL UNTANKING (HEAVIEST PIECE)	1803	3973
TANK	905	1994
LIQUID OIL TYPE I	1258	2772
TOTAL WT	3966	8739

TAP CHANGER		
TAP POS	VOLTAGE	65°C AMPS
1/A	36225	15.9
2/B	35362	16.3
3/C	34500	16.7
4/D	33637	17.2
5/E	32775	17.6

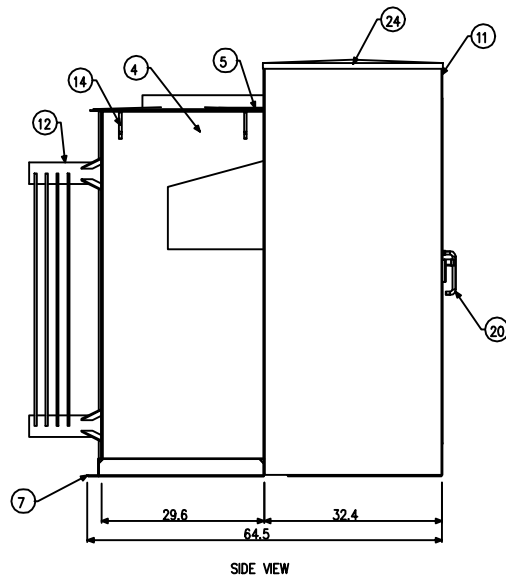
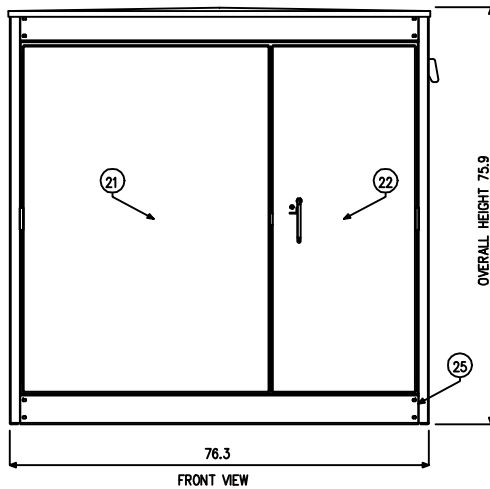
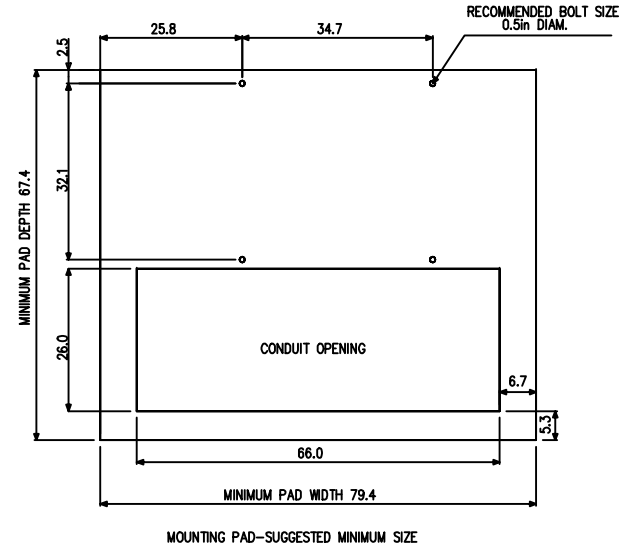
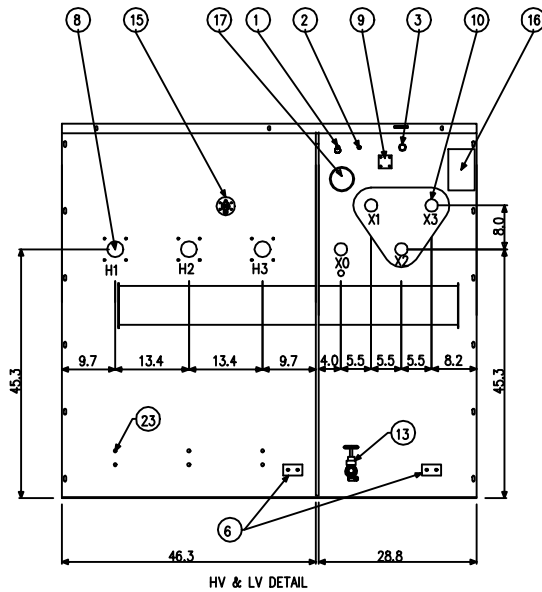
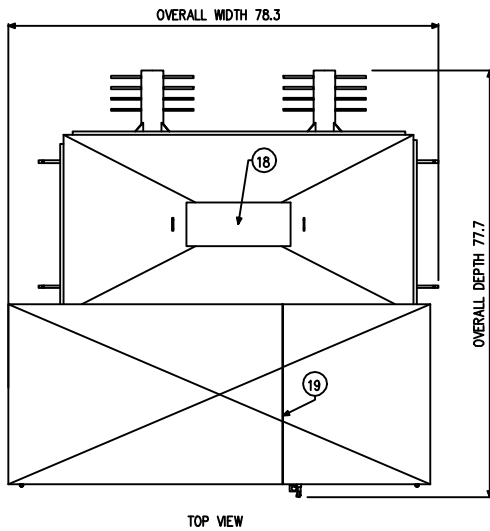


DOE 10 CFR PART 431 10/12/07 COMPLIANT
 MAXIMUM OPERATING PRESSURES OF LIQUID PRESERVATION SYSTEM: 48kPa (7 lbf/in²) POSITIVE AND 34 kPa (5 lbf/in²) NEGATIVE
 TANK DESIGNED FOR 48kPa (7 lbf/in²) VACUUM FILLING
 LIQUID LEVEL BELOW TOP SURFACE OF THE HIGHEST POINT OF THE HIGHEST HANDHOLE FLANGE AT 25°C IS 132 mm (5.2 in)
 LIQUID LEVEL CHANGES 9 mm (0.4 in) PER 10°C CHANGE IN LIQUID TEMPERATURE
 PERCENT IMPEDANCE STATED ABOVE AT RATED VOLTS AT 1000 KVA
 CAUTION BEFORE OPERATING READ INSTRUCTION GEI-79025M
 CONTAINS NO DETECTABLE LEVEL OF PCB (LESS THAN 1 PPM) AT THE TIME OF MANUFACTURE

MADE IN MEXICO PROLEC GE INTERNACIONAL S. DE R.L. DE C.V. www.prolecge.com

IMPEDANCE MEETS ANSI STANDARDS
 WITH TOLERANCE OF +/-7.5%
 ACTUAL TESTED IMPEDANCE WILL BE
 STAMPED ON NAME PLATE

REV.	Draftman : AUDI	Customer/Project Name : HIGH VOLTAGE ELECTRIC IN	Cat. Number :
	Review: JVD	Title : NAMEPLATE	
	App: JVD	Description : 1000 KVA, 3 PHASE, 60 HERTZ, 34500-480Y/277 VOLT 65 oC DELTA - WYE COOLING ONAN	
	Sheet 1 of 1	DRAWING NUMBER: RDQ171C0A	
Rev. 0			

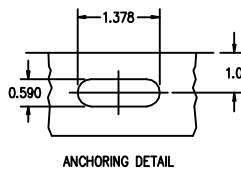


1	PRESSURE RELIEF VALVE, QUALITROL 202-032-01 50 SCFM
2	PROVISION FOR PRESSURE VACUUM GAUGE
3	1 INCH FILL PROVISION
4	TANK (MILD STEEL)
5	TANK COVER
6	GROUND PADS
7	BASE (MILD STEEL)
8	LIVE FRONT PORCELAIN BUSHING WITH 3 HOLE BLADE 150KVBI 200A
9	LIQUID LEVEL GAUGE
10	LV BUSHING 6 HOLE BLADE 30KVBI 2200A
11	CABINET (MILD STEEL)
12	RADIATORS (MILD STEEL)
13	1" DRAIN VALVE WITH 3/8" SAMPLER IN LV.
14	LIFTING LUGS
15	TAP CHANGER
16	ANODIZED ALUMINUM NAMEPLATE
17	THERMOMETER
18	HAND HOLE 8"x19"
19	REMOVABLE PARTITION
20	DOOR HANDLE WITH PROVISION FOR PADLOCK
21	HV DOOR W/PENTA HEAD BOLT
22	LV DOOR W/PENTA HEAD BOLT
23	ARRESTORS PROVISIONS
24	CABINET REMOVABLE HOOD
25	REMOVABLE SILL (MILD STEEL)

Note: Overall Dimensions are nominal with tolerance of +/- 0.5 all other dimensions have a tolerance of +/- 0.1

TRANSFORMER WEIGHTS

CORE & COIL	3 973 LBS
TANK AND FITTINGS	1 994 LBS
370 GALLONS OF OIL	2 772 LBS
TOTAL WEIGHT	8 739 LBS



DESIGNED TO OPERATE BELOW 3300.0 FEET ABOVE SEA LEVEL

Draftman: AUDI	Customer:	REQ. NO. :
REV: JVD	HIGH VOLTAGE ELECTRIC IN	
App: JVD	Title:	
Scale: 1:29	OUTLINE DRAWING	
Dimensions in: inch	1000 KVA, 3 PHASE, 60 HERTZ, 34500-480Y/277 VOLT	
Date: 8/4/2010	65 oC, DELTA - WYE COOLING ONAN	
Rev: 0		Drawing No. RDQ17101B801



NON
PCB

UNIT 30

INSTALL
LOCK HERE
←