

TRANSFORMER DATA SHEET

DATE : 02/15/2000  
 CUSTOMER : HVES  
 CIRCUIT/LOCATION : HVES 26  
 MANUFACTURER : Alstom  
 TRANSFORMER TYPE : Pad Mount CLASS : OA  
 S/N : PFB-0133  
 THREE PHASE  SINGLE PHASE  : 60 HERTZ

VOLTAGE RATING: 4160Y/2400-480Y/277 LV WINDING: ALUMINUM  
 KVA RATING: 2000 Continuous, Self Cooled HV WINDING: ALUMINUM  
 Continuous, Forced Air LV: 65°C rise, BIL: 30 kV  
 HV: 65°C rise, BIL: 60 kV

NAMEPLATE DATA

Core & Coils	4350
Case & Fittings	3598
Oil in Gallons	400/2952
Weight in Pounds	10900

Impedance volts : 6.18 % at rated volts at : 2000 KVA

TRANSFORMER TEST DATA

MEGGER TEST RESULTS

	1 Minute			POLARIZATION INDEX	CAPACITANCE in MICRO-FARAD	
High-> Ground	69.0	M-Ohms, @	5	kV DC	2.1	0.01
Low -> Ground	45.2	M-Ohms, @	1	kV DC	3.1	0.01
High-> Low	56.0	M-Ohms, @	1	kV DC	2.96	0.01

TRANSFORMER TTR TESTS

TAP (V)	CALC. TTR	PHASE 1	PHASE 2	PHASE 3
4368	9.100	9.084	9.083	9.083
4264	8.883	8.917	8.971	8.916
4160	8.666	8.666	8.666	8.666
4056	8.450	8.417	8.417	8.417
3952	8.250	8.250	8.250	8.250
2400				

COMMENTS

Tag 10568  
 Date of manufacture: 1/2000  
 Stored at Dave's Yard

TAG(S)

5.50

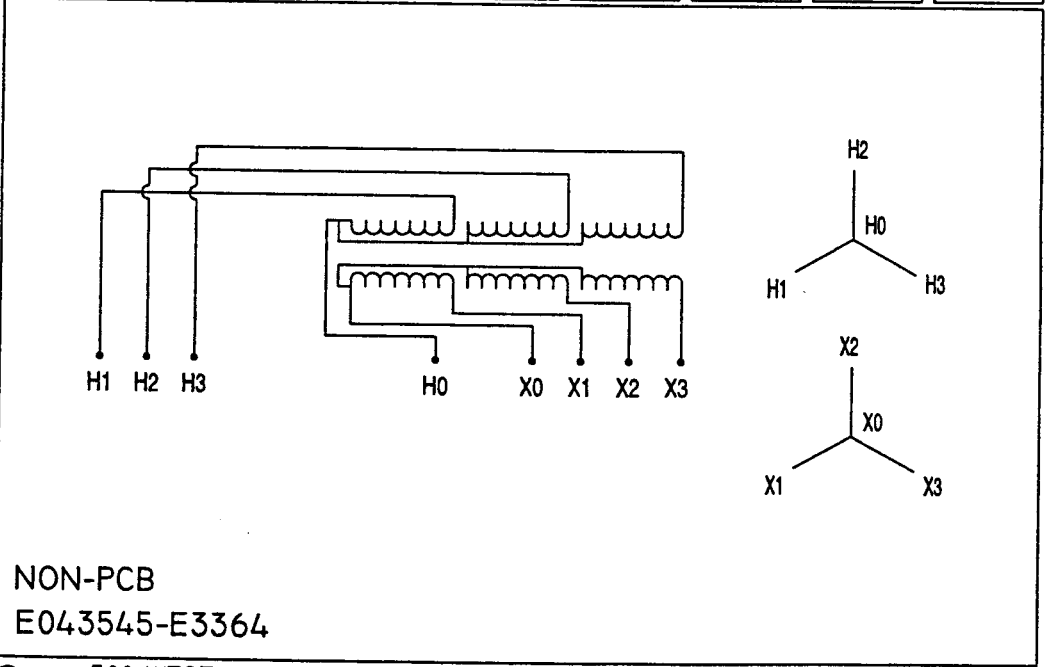
# ALSTOM

KVA  OA  65° C RISE  
 HV  BIL  KV  
 LV  BIL  KV  
 PHASE  Hz TRANSFORMER,  % IZ AT BASE KVA RATING  
 HV  LV COND. ELEMENT  LBS. TOTAL WEIGHT  LBS.  
 GAL  AT  LBS. LEVEL CHANGES  INCH PER. 10° C.  
 FLUID LEVEL  INCHES FROM TOP OF HAND HOLE AT 25° C.  
 MAX TANK PRESS. POS  NEG  PSI  
 SERIAL #  DATE OF MFG:

INSTRUCTION REFERENCE MANUAL IB9.210

TAPS	A	B	C	D	E		
<input type="text" value=""/> VOLTS	<input type="text" value="4368"/>	<input type="text" value="4264"/>	<input type="text" value="4160"/>	<input type="text" value="4056"/>	<input type="text" value="3952"/>	<input type="text" value=""/>	<input type="text" value=""/>
<input type="text" value=""/>	<input type="text" value=""/>	<input type="text" value=""/>	<input type="text" value=""/>	<input type="text" value=""/>	<input type="text" value=""/>	<input type="text" value=""/>	<input type="text" value=""/>

8.00



NON-PCB  
 E043545-E3364

300 WEST ANTELOPE ROAD, MEDFORD OREGON 97503-1089 USA

5/32 DIA.

MATERIAL (.025) STAINLESS STEEL

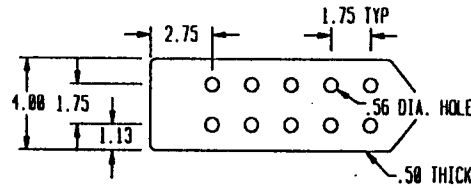
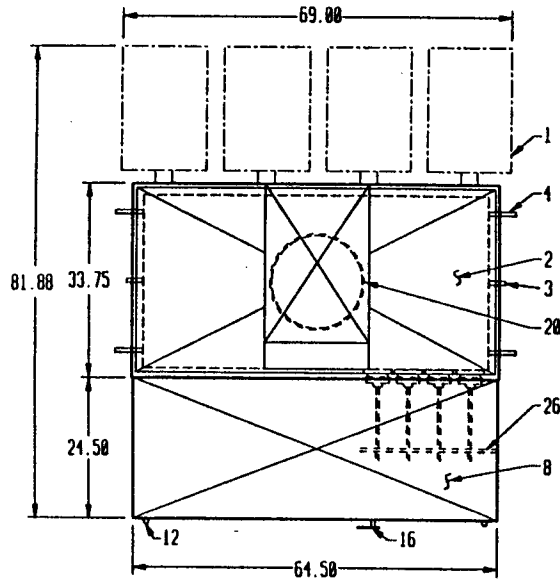
REVISION	<b>ALSTOM</b>	NAMEPLATE PART # 52-637-0022-27-00	
	300 WEST ANTELOPE ROAD MEDFORD, OREGON 97503-1089 USA	DRAWN BY: C. SWANSON	REVISION # 0
		APPROVED BY <i>CZ</i>	DATE: 1/12/00

SCALE: 1" = 1"

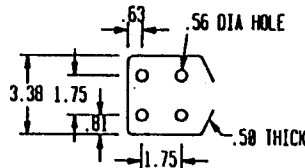
TOTAL WT.: 10900 LBS.  
 TOTAL L.I.O.: 400 GALS.  
 TYPE L.I.O.: OIL  
 PAINT: PADMOUNT GREEN

CUST.: HIGH VOLTAGE ELECTRIC  
 P.O.#: GM991110  
 P.N.: EB43545-E3364  
 KVA.: 2000  
 H.V.: 4160Y/2400 (60 KV BIL)  
 L.V.: 480Y/277 (30 KV BIL)  
 TAPS: 2-2.5Z FCAN & BN

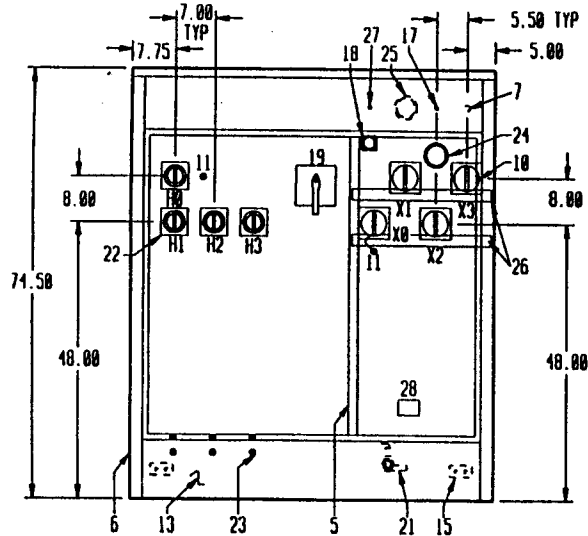
1. COOLING PANELS (FLAT PANELS IN A COMMON HEADER)
2. TRANSFORMER TANK WITH WELDED COVER DOMED TO SHED WATER
3. JACK LUGS
4. LIFT LUGS FOR LIFTING TRANSFORMER COMPLETE WITH LIQUID
5. DIVIDER BETWEEN H.V. & L.V. COMPARTMENTS
6. H.V. & L.V. COMPARTMENT INTERNALLY BOLTED TO TANK FLANGE
7. H.V. DOOR IS SECURED BY BOLTS ACCESSIBLE AFTER L.V. DOOR IS OPENED
8. 1" FILL PLUG & UPPER FILTER PRESS CONNECTION
9. REMOVABLE COMPARTMENT COVER
10. CORROSION RESISTANT NAMEPLATE & CONNECTION DIAGRAM ON THE LV DOOR
11. L.V. BUSHING WITH SPADE TERMINAL (.56 DIA. HOLES ON A 1.75 SQUARE)
12. 1/2-13 TAPPED GROUND PAD WITH REMOVABLE GROUND STRAP (X0)
13. LIFT-OFF TYPE STAINLESS STEEL HINGES WITH 3/8 PINS
14. REMOVABLE FRONT SILL TO PERMIT SLIDING COMP'T OVER ENTRANCE CONDUIT
15. ADJUSTABLE MOUNTING PLATE WITH .81 X 3.00 SLOTS
16. NEMA GROUND PADS WITH (2) 1/2-13 TAPPED HOLES
17. PADLOCKABLE DOORHANDLE WITH 3-POINT LATCH AND CAPTIVE LOCKBOLT
18. PRESSURE RELIEF VALVE
19. LIQUID LEVEL GAUGE
20. DE-ENERGIZED TAPCHANGER
21. TAMPER PROOF HANDHOLE (1.50 DIA.)
22. 1" DRAIN VALVE & SAMPLER
23. H.V. BUSHINGS WITH 4 HOLE H-SPADE CONNECTOR
24. PROVISIONS FOR ARRESTER MOUNTING TAPPED 1/2-13
25. DIAL TYPE THERMOMETER
26. PRESSURE VACUUM GAUGE
27. L.V. BUSHING SUPPORT
28. GAS SAMPLE VALVE (SCHRADER)
29. NON-PCB LABEL



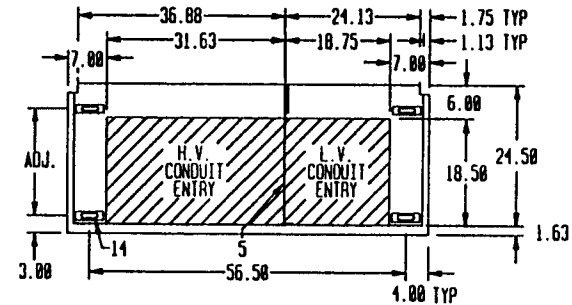
10-HOLE L.V. BUSHING DETAIL



H.V. BUSHING DETAIL



SHOWN WITH DOORS OFF



CONDUIT ENTRY DETAIL

ALSTOM		2000 KVA PADMOUNT OUTLINE	
300 WEST ANTELOPE ROAD, HEFFORD, OREGON 97503			
SCALE:	DWG. # 25450-B	65°C DA	SHEET 1 OF 1
C. SVANSON	DATE: 1/12/00		

85450

UNIT #26



Unit 26 NON PCB  
4160Y/2400-480Y/277  
2000KVA WT= 10900 LBS  
Z=6.18%  
TAPS: 4368/4264/4160/  
4056/3952

**DANGER**  
VOLTAGE  
OUT

#43

UNIT 43 - NON PCB  
8000KVA Z=6.75%  
4Y 4800/2400  
4Y 480Y/277  
WT=7500 LBS  
TAPS: 4300/4254/4100  
4050/3957/3800

FULL LOAD AMPS=100 AT 480V  
FULL LOAD AMPS=140 AT 240V