

TRANSFORMER DATA SHEET

DATE : 12/19/2014  
 CUSTOMER : HVES  
 CIRCUIT/LOCATION : HVES 24  
 MANUFACTURER : GE Prolec  
 TRANSFORMER TYPE : Pad Mount CLASS : ONAN  
 S/N : M10L12841  
 THREE PHASE  SINGLE PHASE  : 60 HERTZ

VOLTAGE RATING: 13200-480Y/277 LV WINDING: ALUMINUM  
 KVA RATING: 2000 Continuous, Self Cooled HV WINDING: ALUMINUM  
 Continuous, Forced Air LV: 65°C rise, BIL: 30 kV  
 HV: 65°C rise, BIL: 95 kV

NAMEPLATE DATA

|                  |       |
|------------------|-------|
| Core & Coils     | 5529  |
| Case & Fittings  | 3206  |
| Oil in Gallons   | 436   |
| Weight in Pounds | 12005 |

Impedance volts : 5.42 % at rated volts at : 2000 KVA

**TRANSFORMER TEST DATA**

MEGGER TEST RESULTS

1 Minute

|               |      |           |   |       |
|---------------|------|-----------|---|-------|
| High-> Ground | 100k | M-Ohms, @ | 5 | kV DC |
| Low -> Ground | 100k | M-Ohms, @ | 1 | kV DC |
| High-> Low    | 100k | M-Ohms, @ | 1 | kV DC |

POLARIZATION  
INDEX

|     |
|-----|
| 2.5 |
| 2.1 |
| 1.9 |

CAPACITANCE in  
MICRO-FARAD

|      |
|------|
| 0.02 |
| 0.02 |
| 0.02 |

TRANSFORMER TTR TESTS

| TAP (V) | CALC. TTR | PHASE 1 | PHASE 2 | PHASE 3 |
|---------|-----------|---------|---------|---------|
| 13860   | 50.000    | 49.980  | 49.979  | 49.977  |
| 13530   | 48.800    | 48.775  | 48.780  | 48.779  |
| 13200   | 47.600    | 47.578  | 47.580  | 47.575  |
| 12870   | 46.400    | 46.380  | 46.385  | 46.377  |
| 12540   | 45.200    | 45.175  | 45.183  | 45.179  |
|         |           |         |         |         |
|         |           |         |         |         |
|         |           |         |         |         |

COMMENTS

Tag 11374

# PROLEC



3 PHASE PADMOUNTED TRANSFORMER CLASS ONAN  
 65°C RISE 60 HERTZ MFG DATE SER

KVA 2000

IMPEDANCE @ 85°C  
 RATED VOLTS %

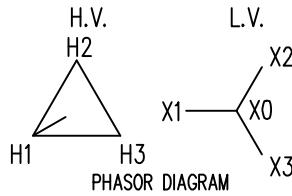
HV 13200

ORDER NUM RDT334

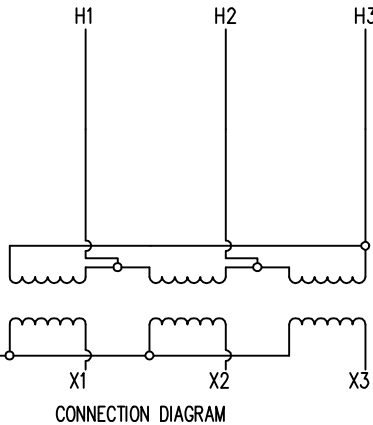
LV 480Y/277

BIL HV 95 BIL LV 30 MAT HV Al MAT LV Al

|  |      |        |
|--|------|--------|
| GALLONS OF OIL TYPE I                  | 436  |        |
| MASS                                   | kg   | pounds |
| CORE & COIL UNTANKING (HEAVIEST PIECE) | 2509 | 5529   |
| TANK                                   | 1455 | 3206   |
| LIQUID OIL TYPE I                      | 1484 | 3270   |
| TOTAL WT                               | 5448 | 12005  |



| TAP CHANGER |         |           |
|-------------|---------|-----------|
| TAP POS     | VOLTAGE | 65°C AMPS |
| 1/A         | 13860   | 83.3      |
| 2/B         | 13530   | 85.3      |
| 3/C         | 13200   | 87.5      |
| 4/D         | 12870   | 89.7      |
| 5/E         | 12540   | 92.1      |

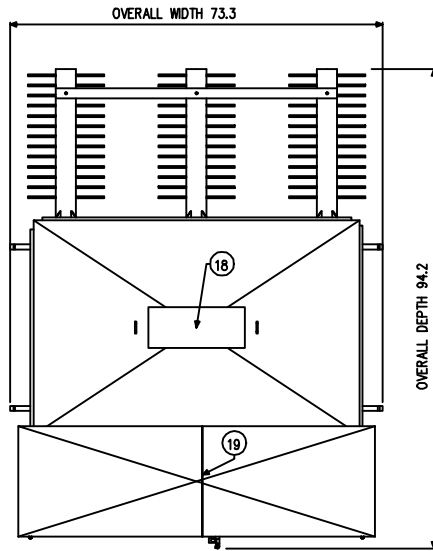


DOE 10 CFR PART 431 10/12/07 COMPLIANT  
 MAXIMUM OPERATING PRESSURES OF LIQUID PRESERVATION SYSTEM: 48kPa (7 lbf/in<sup>2</sup>) POSITIVE AND 34 kPa (5 lbf/in<sup>2</sup>) NEGATIVE  
 TANK DESIGNED FOR 48kPa (7 lbf/in<sup>2</sup>) VACUUM FILLING  
 LIQUID LEVEL BELOW TOP SURFACE OF THE HIGHEST POINT OF THE HIGHEST HANDHOLE FLANGE AT 25°C IS 132 mm (5.2 in)  
 LIQUID LEVEL CHANGES 8 mm (0.3 in) PER 10°C CHANGE IN LIQUID TEMPERATURE  
 PERCENT IMPEDANCE STATED ABOVE AT RATED VOLTS AT 2000 KVA  
 CAUTION BEFORE OPERATING READ INSTRUCTION GEI-79025M  
 CONTAINS NO DETECTABLE LEVEL OF PCB (LESS THAN 1 PPM) AT THE TIME OF MANUFACTURE

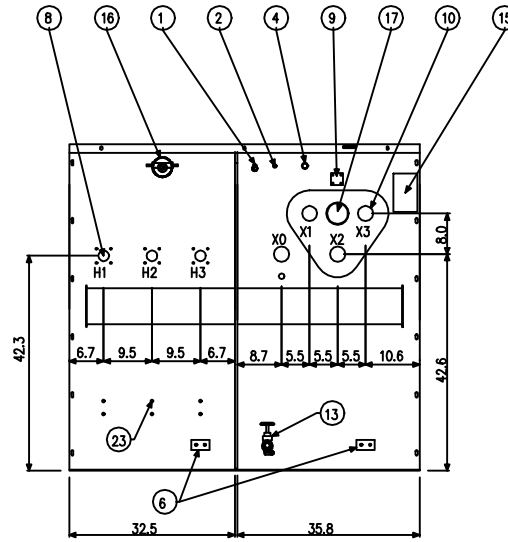
MADE IN MEXICO PROLEC GE INTERNACIONAL S. DE R.L. DE C.V. www.prolecge.com

IMPEDANCE MEETS ANSI STANDARDS  
 WITH TOLERANCE OF +/-7.5%  
 ACTUAL TESTED IMPEDANCE WILL BE  
 STAMPED ON NAME PLATE

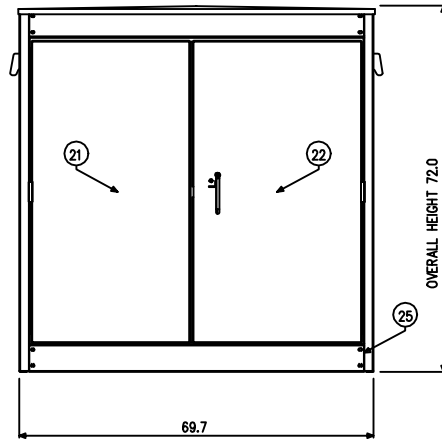
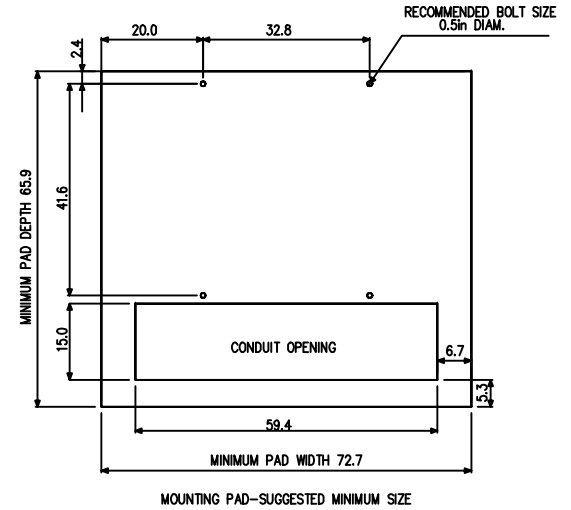
|        |                 |  |               |
|--------|-----------------|--|---------------|
| REV.   | Draftman : AUDI | Customer/Project Name : HIGH VOLTAGE ELECTRIC  | Cat. Number : |
|        | Review: JVD     | Title : NAMEPLATE  |               |
|        | App: JVD        | Description : 2000 KVA, 3 PHASE, 60 HERTZ, 13200-480Y/277 VOLT<br>65 oC DELTA - WYE COOLING ONAN |               |
|        | Sheet 1 of 1    | DRAWING NUMBER: RDT334COA  |               |
| Rev. 0 |                 |  |               |



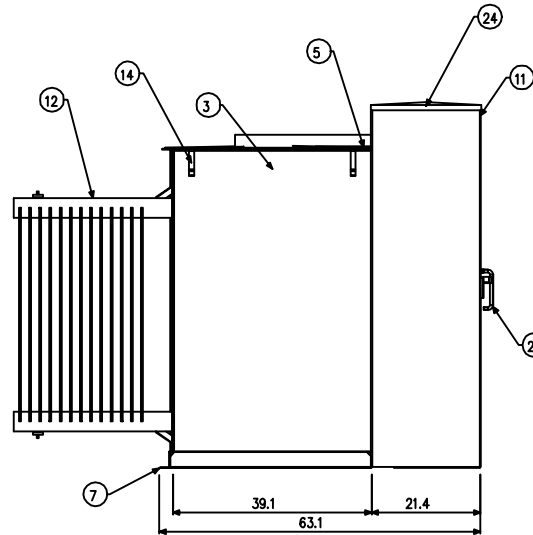
TOP VIEW



HV & LV DETAIL



FRONT VIEW



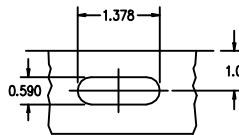
SIDE VIEW

|    |   |
|----|---|
| 1  | PRESSURE RELIEF VALVE, QUALITROL 202-032-01 50 SCFM         |
| 2  | PROVISION FOR PRESSURE VACUUM GAUGE                         |
| 3  | TANK (MILD STEEL)   |
| 4  | 1 INCH FILL PROVISION                                       |
| 5  | TANK COVER  |
| 6  | GROUND PADS   |
| 7  | BASE (MILD STEEL)   |
| 8  | LIVE FRONT PORCELAIN BUSHING WITH 3 HOLE BLADE 95KVBIL 200A |
| 9  | LIQUID LEVEL GAUGE  |
| 10 | LV BUSHING 10 HOLE BLADE SUPPORTED 30KVBIL 3300A            |
| 11 | CABINET (MILD STEEL)  |
| 12 | RADIATORS (MILD STEEL)                                      |
| 13 | 1" DRAIN VALVE WITH 3/8" SAMPLER IN L.V.                    |
| 14 | LIFTING LUGS  |
| 15 | ANODIZED ALUMINUM NAMEPLATE                                 |
| 16 | TAP CHANGER HANDLE  |
| 17 | THERMOMETER   |
| 18 | HAND HOLE 8"X19"  |
| 19 | REMOVABLE PARTITION   |
| 20 | DOOR HANDLE WITH PROVISION FOR PADLOCK                      |
| 21 | HV DOOR W/PENTA HEAD BOLT                                   |
| 22 | LV DOOR W/PENTA HEAD BOLT                                   |
| 23 | ARRESTORS PROVISIONS  |
| 24 | CABINET REMOVABLE HOOD                                      |
| 25 | REMOVABLE SILL (MILD STEEL)                                 |

Note: Overall Dimensions are nominal with tolerance of +/- 0.5 all other dimensions have a tolerance of +/- 0.1



TRANSFORMER WEIGHTS

|                    |            |
|--------------------|------------|
| CORE & COIL        | 5 529 LBS  |
| TANK AND FITTINGS  | 3 206 LBS  |
| 436 GALLONS OF OIL | 3 270 LBS  |
| TOTAL WEIGHT       | 12 005 LBS |



ANCHORING DETAIL

DESIGNED TO OPERATE BELOW 3300.0 FEET ABOVE SEA LEVEL

|                     |   |                             |
|---------------------|---|-----------------------------|
| Draftman: AUDI      | Customer:   | REQ. NO. :                  |
| REV: JVD            | HIGH VOLTAGE ELECTRIC   |                             |
| App: JVD            | Title:  |                             |
| Scale: 1:31         | OUTLINE DRAWING   |                             |
| Dimensions in: inch | 2000 KVA, 3 PHASE, 60 HERTZ, 13200-480Y/277 VOLT  |                             |
| Date: 11/9/2010     | 65 oC, DELTA - WYE COOLING ONAN   |                             |
| Rev: 0              |   | Drawing No.<br>RDT33401B801 |

# PROLEC



3 PHASE

PADMOUNTED TRANSFORMER

CLASS ONAN

65°C

RISE

60 HERTZ

MFG

DATE DEC-10

SER M10L12841

KVA 2000

HV 13200

LV 480Y/277

IMPEDANCE @ 85°C  
RATED VOLTS

5.42 %

ORDER NUM RDT334

01-001

BIL HV 95

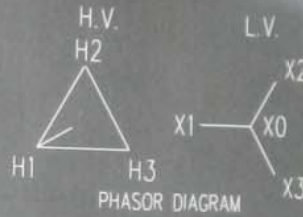
BIL LV 30

MAT HV Al

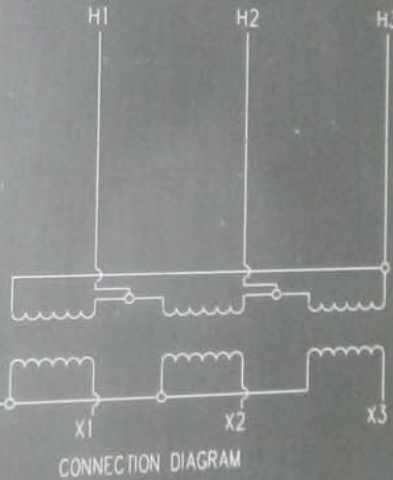
MAT LV Al

|                       |     |
|-----------------------|-----|
| GALLONS OF OIL TYPE I | 436 |
|-----------------------|-----|

| MASS                                      | kg   | pounds |
|---|------|--------|
| CORE & COIL<br>UNTANKING (HEAVIEST PIECE) | 2509 | 5529   |
| TANK                                      | 1455 | 3206   |
| LIQUID OIL TYPE I                         | 1484 | 3270   |
| TOTAL WT.                                 | 5448 | 12005  |



|     | 65°C | AMPS |
|-----|------|------|
| 1/2 | 83.3 |      |
| 2/3 | 85.3 |      |
| 3/C | 87.5 |      |
| 4/D | 89.7 |      |
| 5/E | 92.1 |      |



DOE 10 CFR PART 431 10/12/07 COMPLIANT  
 MAXIMUM OPERATING PRESSURES OF LIQUID PRESERVATION SYSTEM: 48 kPa (7 lb<sub>f</sub>/in<sup>2</sup>) POSITIVE AND 34 kPa (5 lb<sub>f</sub>/in<sup>2</sup>) NEGATIVE  
 TANK DESIGNED FOR 48 kPa (7 lb<sub>f</sub>/in<sup>2</sup>) VACUUM FILLING  
 LIQUID LEVEL BELOW TOP SURFACE OF THE HIGHEST POINT OF THE HIGHEST HANDHOLE FLANGE AT 25°C IS 1.32 mm (5.2 in)  
 LIQUID LEVEL CHANGES 8 mm (0.3 in) PER 10°C CHANGE IN LIQUID TEMPERATURE  
 PERCENT IMPEDANCE STATED ABOVE AT RATED VOLTS AT 2000 KVA  
 CAUTION BEFORE OPERATING READ INSTRUCTION G01-79025M  
 CONTAINS NO DETECTABLE LEVEL OF PCB (LESS THAN 1 PPM) AT THE TIME OF MANUFACTURE

MADE IN MEXICO

PROLEC GE INTERNACIONAL S. DE R.L. DE C.V.

www.prolecge.com



2000

