

TRANSFORMER DATA SHEET

DATE : 11/17/1999  
 CUSTOMER : HVES  
 CIRCUIT/LOCATION : HVES 23  
 MANUFACTURER : ABB  
 TRANSFORMER TYPE : Pad Mount CLASS : OA  
 S/N : 99J951003  
 THREE PHASE  SINGLE PHASE  : 60 HERTZ

VOLTAGE RATING: 4160Y/2400 - 480 LV WINDING: ALUMINUM  
 KVA RATING: 1000 Continuous, Self Cooled HV WINDING: ALUMINUM  
 1300 Continuous, Forced Air LV: 65°C rise, BIL: 30 kV  
 HV: 65°C rise, BIL: 60 kV

NAMEPLATE DATA

Core & Coils	2620
Case & Fittings	2082
Oil in Gallons	325/2438
Weight in Pounds	7140

Impedance volts : 6.22 % at rated volts at : 1000 KVA

TRANSFORMER TEST DATA

MEGGER TEST RESULTS

POLARIZATION INDEX

CAPACITANCE in MICRO-FARAD

	1 Minute					
High-> Ground	128.0k	M-Ohms, @	5	kV DC	1.59	0.01
Low -> Ground	89.5k	M-Ohms, @	1	kV DC	1.93	0.02
High-> Low	82.5k	M-Ohms, @	1	kV DC	2.78	0.01

TRANSFORMER TTR TESTS

TAP (V)	CALC. TTR	PHASE 1	PHASE 2	PHASE 3
4370	4.2562	5.250	5.247	5.250
4265	4.1299	5.144	5.142	5.143
4160	5.0030	5.000	4.999	5.000
4055	4.8774	4.894	4.892	4.894
3950	4.7511	4.750	4.749	4.751

COMMENTS

Tag 10545  
 Date of manufacture: 11/1999  
 Stored at Dave's Yard

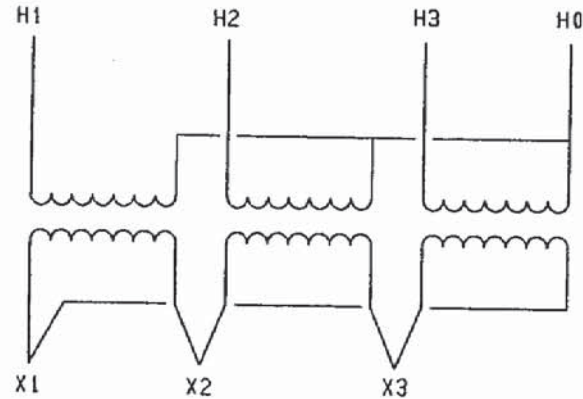
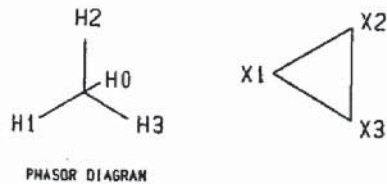
10 Minute Megger Test  
 H-G: 202.0k M-ohms  
 L-G: 173.0k M-Ohms  
 H-L: 228.0k M-ohms

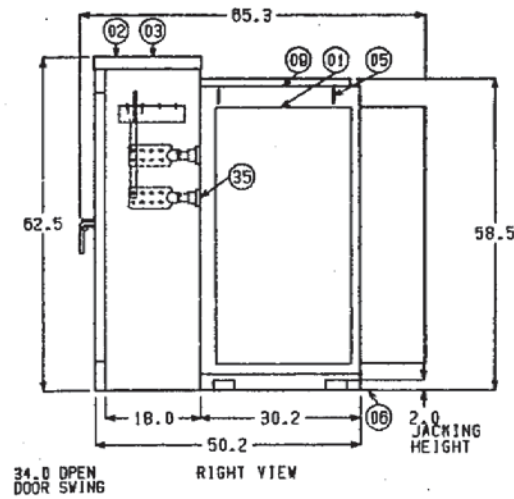
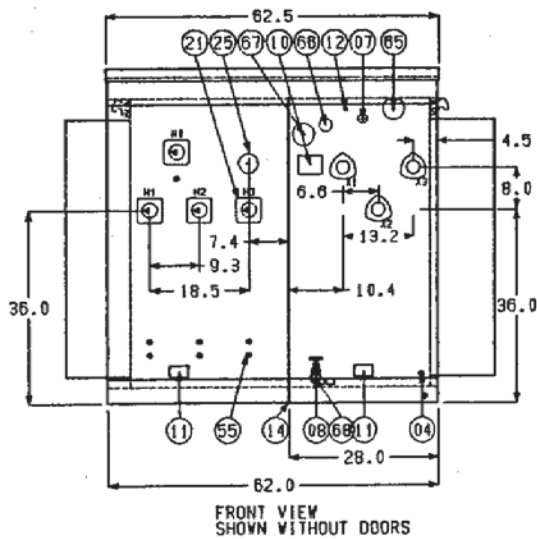
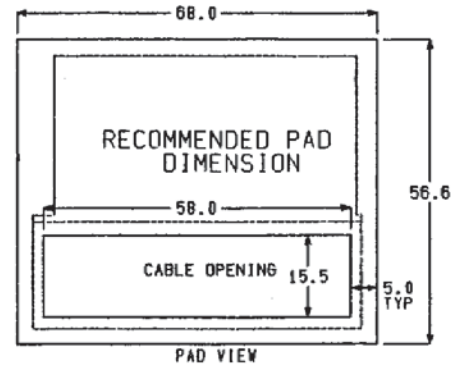
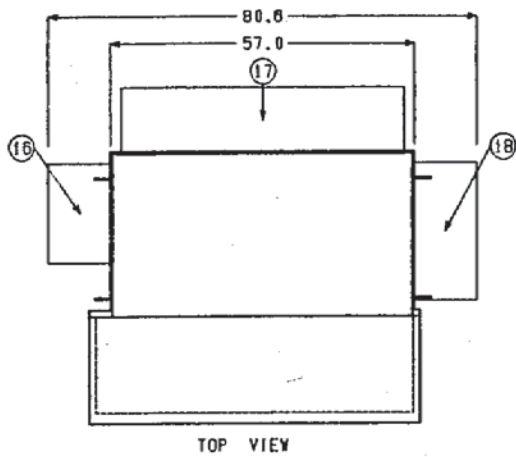


MADE IN USA AT  
JEFFERSON CITY, MO

CLASS 0A 60 HERTZ  
THREE PHASE DISTRIBUTION TRANSFORMER

KVA 1000	AT CONTINUOUS RISE °C 65		STYLE F25H0158W7	SERIAL 99J999999	MFG DATE MMM-YY
HIGH VOLTAGE 4160Y/2400	HV BIL KV 60	HV MTL AL	IMPEDANCE		TAP CHANGER RATINGS
LOW VOLTAGE 480	LV BIL KV 30	LV MTL AL	GALLONS OIL 325	APPROXIMATE WEIGHTS IN POUNDS	TAP
INSULATING LIQUID: FILLED WITH NON-PCB MINERAL OIL THAT CONTAINED LESS THAN 1 PPM PCB AT TIME OF MANUFACTURE.			CORE # COILS	2620	1 4370 132
CAUTION: 1. BEFORE OPERATING READ INSTRUCTION BOOK 46-060-1. 2. TANK MUST BE SOLIDLY GROUNDED.			OIL	2438	2 4265 135
			CASE	2082	3 4160 138
			TOTAL	7140	4 4055 142
					5 3950 146





THIS OUTLINE IS FOR ERECTION OR MOUNTING PURPOSES. IT IS NOT TO SCALE AND SHOULD NOT BE REGARDED AS INDICATING THE EXACT DETAILS OF CONSTRUCTION.

- 01 TANK
- 02 CABINET BOLTED-ON, REMOVABLE SILLS, OPEN BOTTOM 1.25 INCH FLANGE, HINGED LIFT-OFF DOOR, PROVISION FOR PAD LOCK, STOP IN OPEN POSITION.
- 03 WEATHER COVER, REMOVABLE OR HINGED
- 04 PROVISIONS FOR TANK TO CABINET GROUND
- 05 LIFTING HOOKS, 4 TOTAL
- 06 SHIPPING BRACKETS
- 07 1 INCH FILL PLUG
- 08 1 INCH DRAIN PLUG
- 09 HANDHOLE, 9.5 INCH X 17.5 INCH, BOLTED-ON COVER
- 10 NAME PLATE MOUNTED ON TANK WALL
- 11 GROUND PAD, 50-13-TAP, HV AND LV COMPARTMENT
- 12 PRESSURE RELIEF DEVICE
- 13 LV NEUTRAL GROUND PAD, .50-13-TAP WITH GROUND STRAP
- 14 HV/LV BARRIER (STEEL)
- 15 LEFT SIDE COOLER
- 16 REAR COOLER
- 17 RIGHT SIDE COOLER
- 18 HIGH VOLTAGE BUSHING WITH 2 HOLE SPADE TAP CHANGER
- 19 LOW VOLTAGE BUSHING, ANSI SPADES, WITH 6 USEABLE HOLES, SUPPORTED
- 20 ARRESTER MOUNTING PROVISION
- 21 PRESSURE VACUUM GAUGE
- 22 OIL LEVEL GAUGE
- 23 THERMOMETER
- 24 DRAIN VALVE WITH SAMPLER
- 25 PARKING STAND

		ABB POWER T&D COMPANY INC.		REV NO 01
		TITLE: 03PPAD001T00F XXXIPIH XXIIIN XXIBRTE XM		USER: MUELO
DES: 13PH OUTLINE				
DIMENSIONS IN INCHES-SCALE: 005		CADAH: 0100300H1NH1M1A0101,1		
NYA: 1000	H.V.: 41887/2400	DFTH: HUESTE, L.	092099	APPO: XXXXX
	L.V.: 400K	D SPEC: XXXXX	APPO	J801A07F
REV DATA		ENG. REF: XXXXX	LAYOUT: M00EL 10	
		DTD ENGINEERING DEPT., JEFFERSON CITY, MO.		USA

ABB

Unit 23 NON PCB  
1000KVA Z = 6.22%  
HV 4160Y/2400  
LV 480  
WT= 7140 LBS  
TAPS: 4370/4265/4160/  
4055/3950  
FULL LOAD AMPS= 138 AT 4160V

WARNING