

TRANSFORMER DATA SHEET

DATE : 08/10/2000
 CUSTOMER : HVES
 CIRCUIT/LOCATION : HVES 21
 MANUFACTURER : Alstom
 TRANSFORMER TYPE : Pad Mount CLASS : OA
 S/N : PFH-0822
 THREE PHASE SINGLE PHASE : 60 HERTZ

VOLTAGE RATING: 575 Delta - 480 Delta LV WINDING: ALUMINUM
 KVA RATING: 1000 Continuous, Self Cooled HV WINDING: ALUMINUM
 Continuous, Forced Air LV: 65°C rise, BIL: 30 kV
 HV: 65°C rise, BIL: 45 kV

NAMEPLATE DATA

Core & Coils	2724
Case & Fittings	2477
Oil in Gallons	252/1859
Weight in Pounds	7060

Impedance volts : 5.87 % at rated volts at : 1000 KVA

TRANSFORMER TEST DATA

MEGGER TEST RESULTS

	1 Minute			POLARIZATION INDEX	CAPACITANCE in MICRO-FARAD	
High-> Ground	8.95k	M-Ohms, @	1	kV DC	1.96	-
Low -> Ground	6.24k	M-Ohms, @	1	kV DC	2.04	-
High-> Low	10.4k	M-Ohms, @	1	kV DC	1.54	-

TRANSFORMER TTR TESTS

TAP (V)	CALC. TTR	PHASE 1	PHASE 2	PHASE 3
480V	1.197	1.201	1.201	1.201

COMMENTS

Tag 10575
 Date of manufacture: 8/2000
 Stored at Dave's Yard

TAG(S)

5.50

ALSTOM

KVA OA °C RISE

HV BIL KV

LV BIL KV

PHASE HZ TRANSFORMER, % IZ AT BASE KVA RATING

HV LV COND. ELEMENT LBS. TOTAL WEIGHT LBS.

GAL AT LBS. LEVEL CHANGES INCH PER. 10° C.

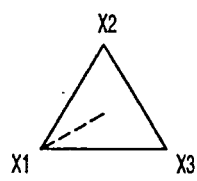
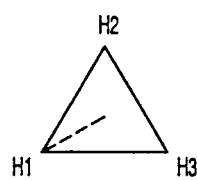
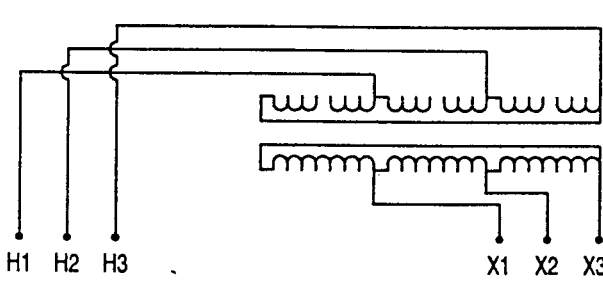
FLUID LEVEL INCHES FROM TOP OF HAND HOLE AT 25° C.

MAX TANK PRESS. POS NEG PSI

SERIAL # DATE OF MFG:

INSTRUCTION REFERENCE MANUAL IB9.210

TAPS	A	B	C	D	E		
<input type="text"/> VOLTS	<input type="text"/>	<input type="text"/>	<input type="text"/>	<input type="text"/>	<input type="text"/>	<input type="text"/>	<input type="text"/>
<input type="text"/>	<input type="text"/>	<input type="text"/>	<input type="text"/>	<input type="text"/>	<input type="text"/>	<input type="text"/>	<input type="text"/>



NON-PCB
F044204-F4014

300 WEST ANTELOPE ROAD, MEDFORD OREGON 97503-1089 USA

8.00

5/32 DIA.

MATERIAL (.025) STAINLESS STEEL

* IZ = 5.75% NOM.

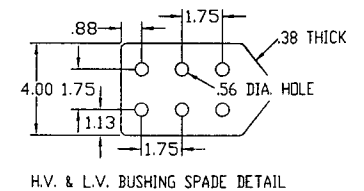
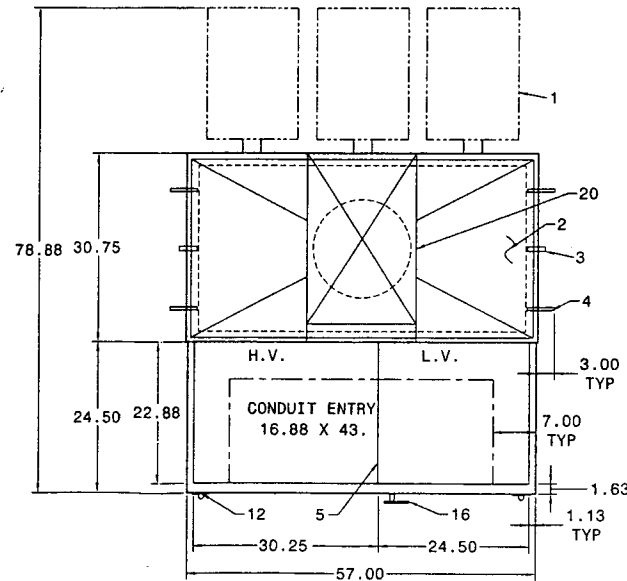
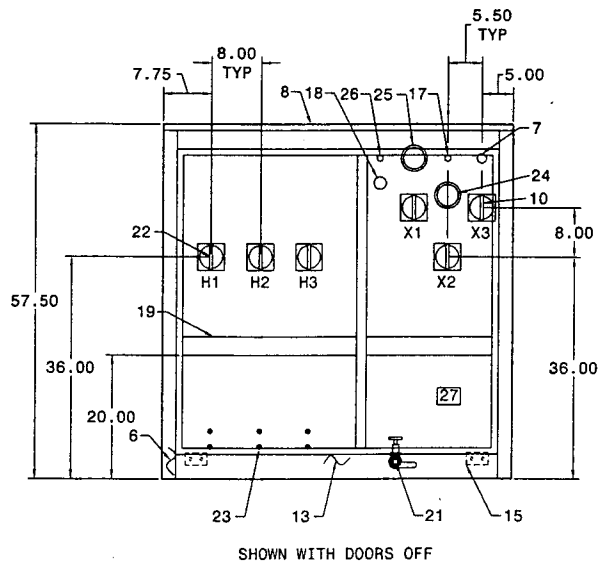
REVISION	ALSTOM		NAMEPLATE PART # 52-637-0022-27-00	
	300 WEST ANTELOPE ROAD MEDFORD, OREGON 97503-1089 USA		DRAWN BY: K. BRITT	REVISION # 0
	APPROVED BY	DATE: 7/11/00	SCALE: 1" = 1"	

- 1 COOLING PANELS (FLAT PANELS IN A COMMON HEADER)
- 2 TRANSFORMER TANK WITH WELDED COVER DOMED TO SHED WATER
- 3 JACK LUGS
- 4 LIFT LUGS FOR LIFTING TRANSFORMER COMPLETE WITH LIQUID
- 5 DIVIDER BETWEEN H.V. & L.V. COMPARTMENTS
- 6 H.V. & L.V. COMPARTMENT INTERNALLY BOLTED TO TANK FLANGE
- 7 H.V. DOOR IS SECURED BY BOLTS ACCESSIBLE AFTER L.V. DOOR IS OPENED
- 8 1 IN. FILL PLUG & UPPER FILTER PRESS CONNECTOR
- 9 REMOVABLE COMPARTMENT COVER
- 10 CORROSION RESISTANT NAMEPLATE & CONNECTION DIAGRAM ON L.V. DOOR
- 11 L.V. BUSHING WITH SPADE TERMINAL (.56 DIA. HOLES ON A 1.75 SQUARE)
- 12 LIFT-OFF TYPE STAINLESS STEEL HINGES WITH 3/8 PINS
- 13 REMOVABLE FRONT SILL TO PERMIT SLIDING COMP'T OVER ENTRANCE CONDUIT
- 14 ADJUSTABLE MOUNTING PLATE WITH .81 x 3.00 SLOTS (NOT SHOWN)
- 15 NEMA GROUND PADS WITH (2) 1/2-13 TAPPED HOLES
- 16 PADLOCKABLE DOOR HANDLE WITH 3-POINT LATCH AND CAPTIVE LOCKBOLT
- 17 PRESSURE RELIEF VALVE
- 18 LIQUID LEVEL GAUGE

- 19 CABLE SUPPORT
- 20 TAMPER PROOF HANDHOLE (16.00 DIA.)
- 21 1 IN. DRAIN VALVE & SAMPLES
- 22 H.V. BUSHING WITH CONNECTOR
- 23 PROVISIONS FOR ARRESTER MOUNTING TAPPED 1/2-13
- 24 DIAL TYPE THERMOMETER
- 25 PRESSURE VACUUM GAUGE
- 26 GAS SAMPLE VALVE (SCHRADER)
- 27 NON-PCB LABEL

CUSTOMER: HIGH VOLTAGE ELECTRIC
 P.O. : GM061600
 P.N. : F044204-F4014
 KVA : 1000
 H.V. : 575 DELTA (45 KV BIL)
 L.V. : 480 DELTA (30 KV BIL)
 TAPS : NO TAPS
 LIQUID TYPE : OIL
 LIQUID VOL : 252
 TOTAL WEIGHT : 7060
 COLOR : PADMOUNT GREEN
 TEMP : 65°C OA

-DESIGNED FOR STEP-UP OPERATION



REVISION	1		ON BOM	DCTR J. BRADLEY		<h1 style="margin: 0;">ALSTOM</h1> <p style="font-size: small; margin: 0;">300 WEST ANTELOPE ROAD MEDFORD, OREGON USA 97503-1069</p>	SHEET 1 OF 1		
			● NOT ON BOM	APPR KB				DATE 7-13-00	
			42040	DWC 42040-0	SCALE 5/8"=1'			TOLERANCE: ±0.06	TITLE 1000 KVA PADMOUNT OUTLINE
				REVISION 0	DWC SIZE B				

UNIT 21

UNIT 21 NON PCB
575V DELTA / 480V DELTA
1000KVA 7060LBS
Z=5.75%



ALSTOM