

TRANSFORMER DATA SHEET

DATE : 09/23/1999  
 CUSTOMER : HVES  
 CIRCUIT/LOCATION : HVES 18  
 MANUFACTURER : Alstom  
 TRANSFORMER TYPE : Pad Mount CLASS : OA  
 S/N : PEI-1075  
 THREE PHASE  SINGLE PHASE  : 60 HERTZ

VOLTAGE RATING: 480 Delta - 208Y/120 LV WINDING: ALUMINUM  
 KVA RATING: 1000 Continuous, Self Cooled HV WINDING: ALUMINUM  
 Continuous, Forced Air LV: 65°C rise, BIL: 30 kV  
 HV: 65°C rise, BIL: 45 kV

NAMEPLATE DATA

Core & Coils	2651
Case & Fittings	2475
Oil in Gallons	258/1904
Weight in Pounds	7030

Impedance volts : 7.10 % at rated volts at : 1000 KVA

TRANSFORMER TEST DATA

MEGGER TEST RESULTS

	1 Minute			POLARIZATION INDEX	CAPACITANCE in MICRO-FARAD
High-> Ground	1.31	M-Ohms, @	1	1.54	0.01
Low -> Ground	326	M-Ohms, @	0.5	3.14	0.01
High-> Low	3.42	M-Ohms, @	0.5	1.94	0.02

TRANSFORMER TTR TESTS

TAP (V)	CALC. TTR	PHASE 1	PHASE 2	PHASE 3
480	4.000	3.997	3.998	3.995

COMMENTS

Tag 10540  
 Date of manufacture: 8/1999  
 Stored at Dave's Yard

TAG(S)

5.50

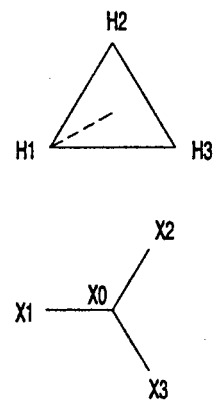
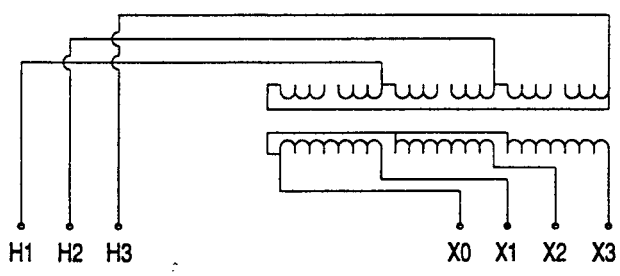
# ALSTOM

KVA  OA   °C RISE  
 HV  BIL  KV  
 LV  BIL  KV  
 PHASE  Hz TRANSFORMER,  % IZ AT BASE KVA RATING  
 HV  LV COND. ELEMENT  LBS. TOTAL WEIGHT  LBS.  
 GAL  AT  LBS. LEVEL CHANGES  INCH PER. 10° C.  
 FLUID LEVEL  INCHES FROM TOP OF HAND HOLE AT 25° C.  
 MAX TANK PRESS. POS  NEG  PSI  
 SERIAL #  DATE OF MFG:

INSTRUCTION REFERENCE MANUAL IB9.210

TAPS	A	B	C	D	E		
<input type="text" value=""/>	<input type="text" value=""/>	<input type="text" value=""/>	<input type="text" value=""/>	<input type="text" value=""/>	<input type="text" value=""/>	<input type="text" value=""/>	<input type="text" value=""/>
<input type="text" value=""/>	<input type="text" value=""/>	<input type="text" value=""/>	<input type="text" value=""/>	<input type="text" value=""/>	<input type="text" value=""/>	<input type="text" value=""/>	<input type="text" value=""/>

8.00



NON-PCB  
 E143083-E2944

300 WEST ANTELOPE ROAD, MEDFORD OREGON 97503-1089 USA

5/32 DIA.

MATERIAL (.025) STAINLESS STEEL

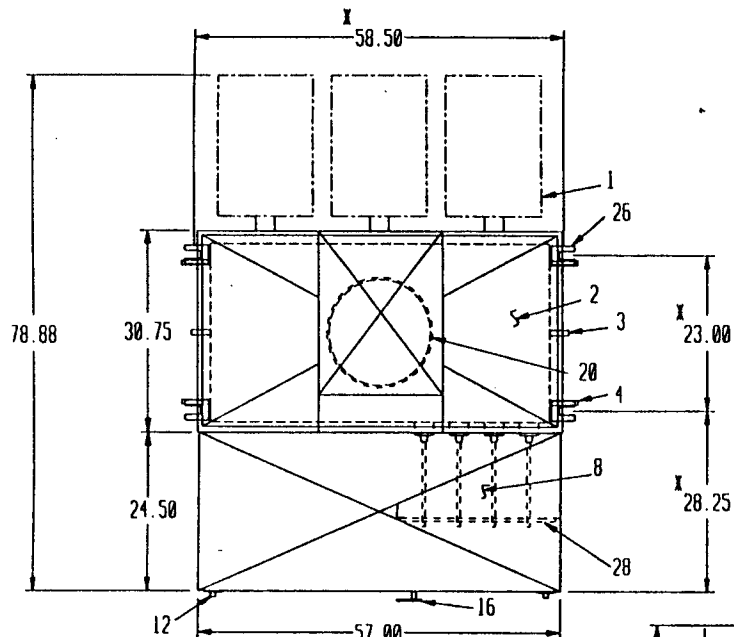
REVISION

# ALSTOM

300 WEST ANTELOPE ROAD  
 MEDFORD, OREGON 97503-1089 USA

NAMEPLATE PART # 52-637-0022-27-00

DRAWN BY: J. WALLACE	REVISION # 0
APPROVED BY MS	DATE: 8/12/99
SCALE: 1" = 1"	

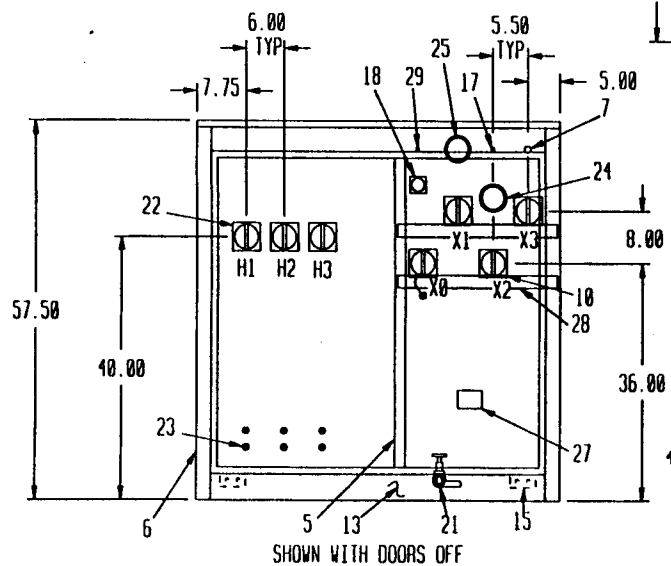
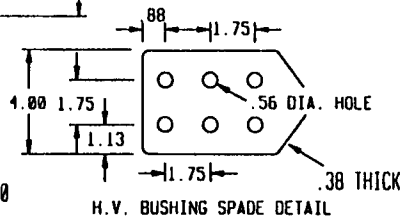


TOTAL WT.: 7030 LBS.  
 TOTAL LIQ.: 250 GALS.  
 TYPE LIQ.: OIL  
 PAINT: PAINT MOUNT GREEN

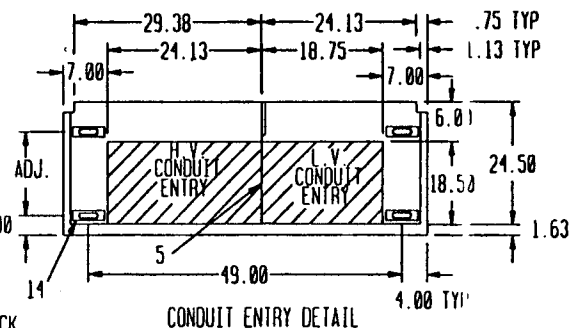
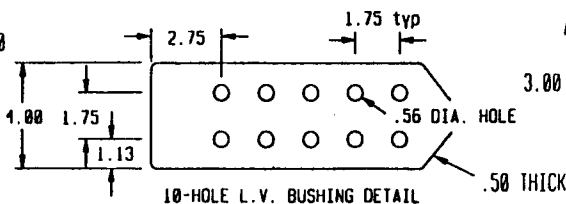
CUST.: HIGH VOLTAGE ELECTRIC  
 P.O. #: GM-990609  
 P.N.: E043083-E2944  
 KVA.: 1000  
 H.V.: 480 DELTA (45 KV BIL)  
 L.V.: 208Y/120 (30 KV BIL)  
 TAPS: NONE

X BOLT DOWN PROVISION DIMENSION

1. COOLING PANELS (FLAT PANELS IN A COMMON HEADER)
2. TRANSFORMER TANK WITH WELDED COVER DOMED TO SHED WATER
3. JACK LUGS
4. LIFT LUGS FOR LIFTING TRANSFORMER COMPLETE WITH LIQUID
5. DIVIDER BETWEEN H.V. & L.V. COMPARTMENTS
6. H.V. & L.V. COMPARTMENT INTERNALLY BOLTED TO TANK FLANGE
7. H.V. DOOR IS SECURED BY BOLTS ACCESSIBLE AFTER L.V. DOOR IS OPENED
8. 1" FILL PLUG & UPPER FILTER PRESS CONNECTION
9. REMOVABLE COMPARTMENT COVER
10. CORROSION RESISTANT NAMEPLATE & CONNECTION DIAGRAM ON THE LV DOOR
11. L.V. BUSHING WITH SPADE TERMINAL (.56 DIA. HOLES ON A 1.75 SQUARE)
12. 1/2-13 TAPPED GROUND PAD WITH GROUND STRAP
13. LIFT-OFF TYPE STAINLESS STEEL HINGES WITH 3/8 PINS
14. REMOVABLE FRONT SILL TO PERMIT SLIDING COMP'T OVER ENTRANCE CONDUIT
15. ADJUSTABLE MOUNTING PLATE WITH .81 X 3.00 SLOTS
16. NEMA GROUND PADS WITH (2) 1/2-13 TAPPED HOLES
17. PADLOCKABLE DOORHANDLE WITH 3-POINT LATCH AND CAPTIVE LOCKBOLT
18. PRESSURE RELIEF VALVE
19. LIQUID LEVEL GAUGE



SHOWN WITH DOORS OFF



<b>ALSTOM</b>		1000 KVA PAINT MOUNT OUTLINE	
300 WEST ANTELOPE ROAD, MEDFORD, OREGON, 97503			
S31001	DWG. # 30830-0	65' C OA	SHEET 1 OF 1
DRAWN J. WALLACE	APPROVED MS	DATE 8/15/99	SCALE: 84" = 1' 00" FOR ENRANCE: 1/2" = 1"

30830

UNIT #18

UNIT 18 NON PCB  
1000KVA WT = 7500 LBS  
480 DELTA/208Y - 120



-2

H

US  
MAX 200E

RGIZED  
3.8KV  
CTRICAL  
IPMENT  
3/3/14

UNIT 61

UNIT 27