

TRANSFORMER DATA SHEET

DATE : 6/07/2012  
 CUSTOMER : HVES  
 CIRCUIT/LOCATION : HVES 17  
 MANUFACTURER : GE Prolec  
 TRANSFORMER TYPE : Oil Filled CLASS : OA  
 S/N : M11F20370  
 THREE PHASE  SINGLE PHASE  : 60 HERTZ

VOLTAGE RATING: 13200 Delta - 480Y/277 LV WINDING: ALUMINUM  
 KVA RATING: 1000 Continuous, Self Cooled HV WINDING: ALUMINUM  
 Continuous, Forced Air LV: 65°C rise, BIL: 30 kV  
 HV: 65°C rise, BIL: 95 kV

NAMEPLATE DATA

Core & Coils	
Case & Fittings	
Oil in Gallons	
Weight in Pounds	

Impedance volts : 5.94 % at rated volts at : 1000 KVA

**TRANSFORMER TEST DATA**

MEGGER TEST RESULTS

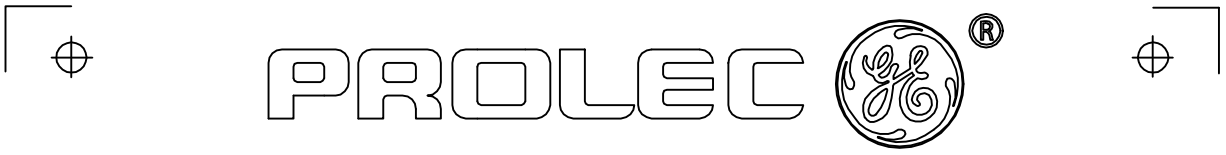
	1 Minute			POLARIZATION INDEX	CAPACITANCE in MICRO-FARAD
High-> Ground		M-Ohms, @		kV DC	
Low -> Ground		M-Ohms, @		kV DC	
High-> Low		M-Ohms, @		kV DC	

TRANSFORMER TTR TESTS

TAP (V)	CALC. TTR	PHASE 1	PHASE 2	PHASE 3
13860				
13530				
13200				
12870				
12540				

COMMENTS

Tag 11298



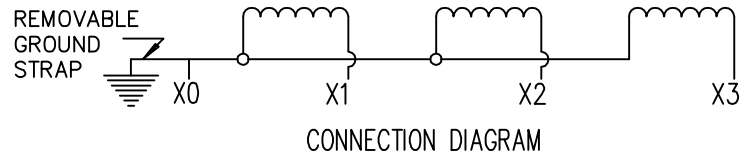
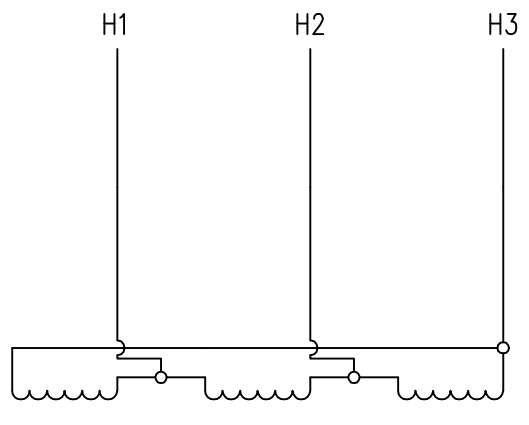
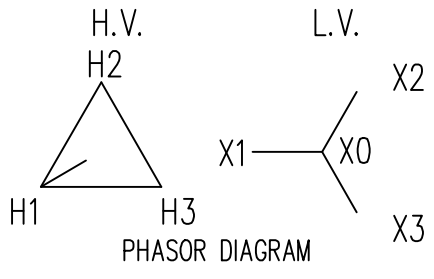
3 PHASE PADMOUNTED TRANSFORMER CLASS ONAN  
 65°C RISE 60 HERTZ MFG DATE SER

KVA 1000 HV 13200 LV 480Y/277  
 IMPEDANCE @ 85°C RATED VOLTS %  
 ORDER NUM REA639  
 BIL HV 95 BIL LV 30 MAT HV Al MAT LV Al

GALLONS OF OIL TYPE I	251
-----------------------	-----

MASS	kg	pounds
CORE & COIL UNTANKING (HEAVIEST PIECE)	1467	3233
TANK	750	1653
LIQUID OIL TYPE I	855	1884
TOTAL WT	3072	6770

TAP CHANGER		
TAP POS	VOLTAGE	65°C AMPS
1/A	13860	41.7
2/B	13530	42.7
3/C	13200	43.7
4/D	12870	44.9
5/E	12540	46.0



DOE 10 CFR PART 431 10/12/07 COMPLIANT  
 MAXIMUM OPERATING PRESSURES OF LIQUID PRESERVATION SYSTEM: 48kPa (7 lbf/in<sup>2</sup>) POSITIVE AND 34 kPa (5 lbf/in<sup>2</sup>) NEGATIVE  
 TANK DESIGNED FOR 48kPa (7 lbf/in<sup>2</sup>) VACUUM FILLING  
 LIQUID LEVEL BELOW TOP SURFACE OF THE HIGHEST POINT OF THE HIGHEST HANDHOLE FLANGE AT 25°C IS 132 mm (5.2 in)  
 LIQUID LEVEL CHANGES 7 mm (0.3 in) PER 10°C CHANGE IN LIQUID TEMPERATURE  
 PERCENT IMPEDANCE STATED ABOVE AT RATED VOLTS AT 1000 KVA  
 CAUTION BEFORE OPERATING READ INSTRUCTION GEI-79025M  
 CONTAINS NO DETECTABLE LEVEL OF PCB (LESS THAN 1 PPM) AT THE TIME OF MANUFACTURE

MADE IN MEXICO PROLEC GE INTERNACIONAL S. DE R.L. DE C.V. www.prolecge.com

IMPEDANCE MEETS ANSI STANDARDS  
 WITH TOLERANCE OF +/-7.5%  
 ACTUAL TESTED IMPEDANCE WILL BE  
 STAMPED ON NAME PLATE

REV.	Draftman : AUDI	Customer/Project Name : H.V. ELECTRIC	Cat. Number :
	Review: VCL	Title : NAMEPLATE	
	App: VCL	Description : 1000 KVA, 3 PHASE, 60 HERTZ, 13200-480Y/277 VOLT 65 oC DELTA - WYE COOLING ONAN	
	Sheet 1 of 1		DRAWING NUMBER:
	Rev. 0		REA639COA

Prop No: 6D3-115F976

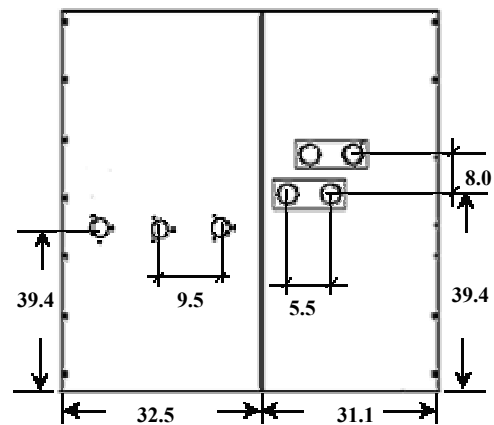
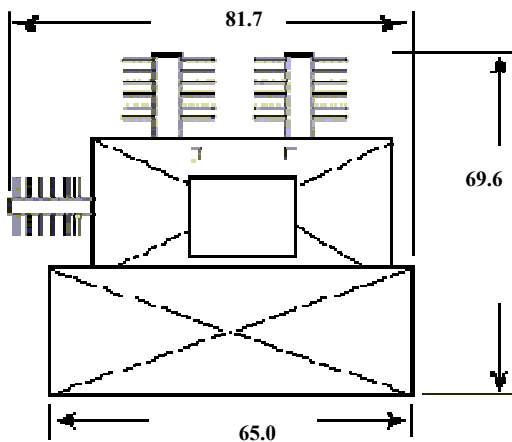
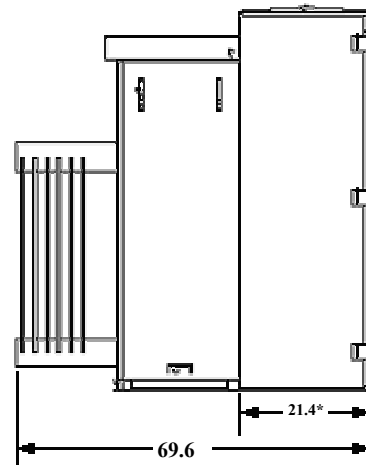
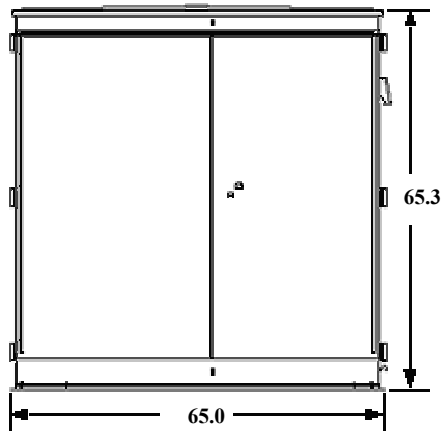
Item: 000002

Date:5/5/2011

Catalog No:QREA639

Design No:CJ914059

1000 KVA Type ONAN ANSI Three Phase Padmounted Transformer  
13200 DELTA - 480Y/277 (2) - 2.5% Above and Below in HV 95 kv BIL 60 Hz  
Live Front, Radial feed, Three HV Bushing, Staggered LV w/Radiators  
Minimum Dims, 20 inch deep Cabinet



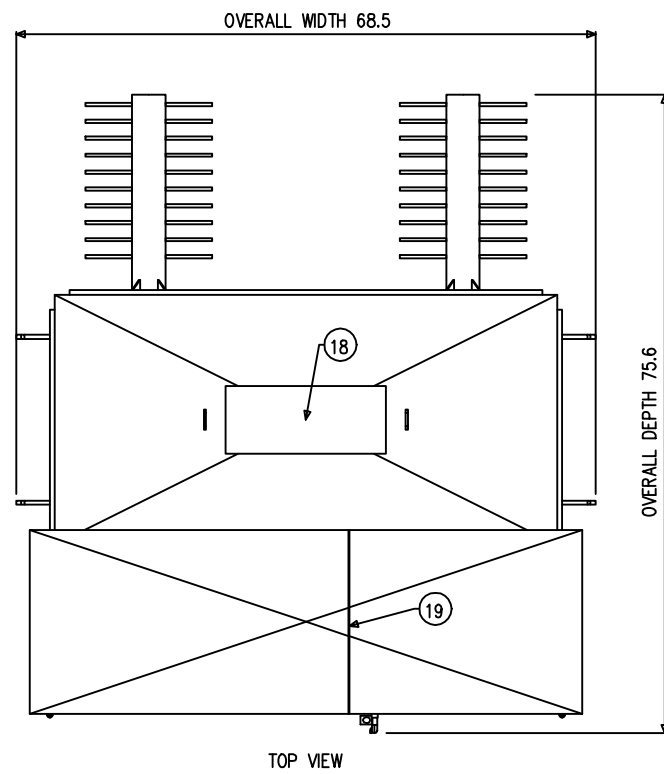
Total Weight(lbs): 6656

Oil Gallons: 239

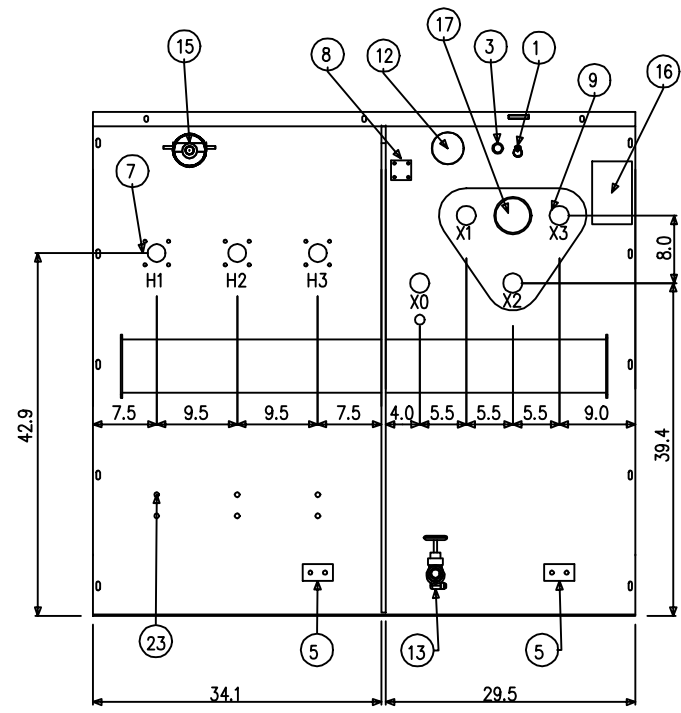
\* This dimension represents cabinet depth and door.

Dimensions are in inches and estimated. Not for construction.

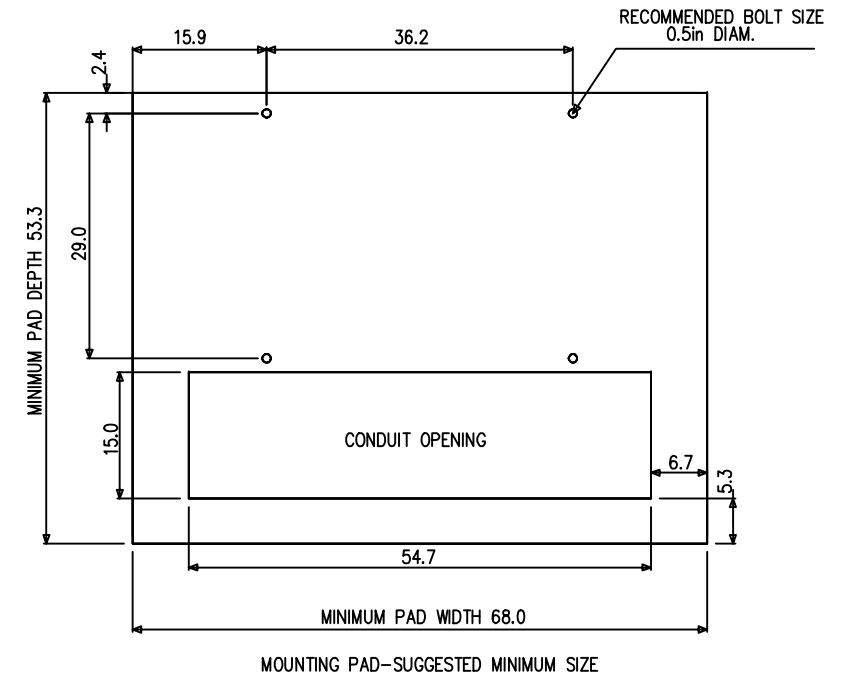




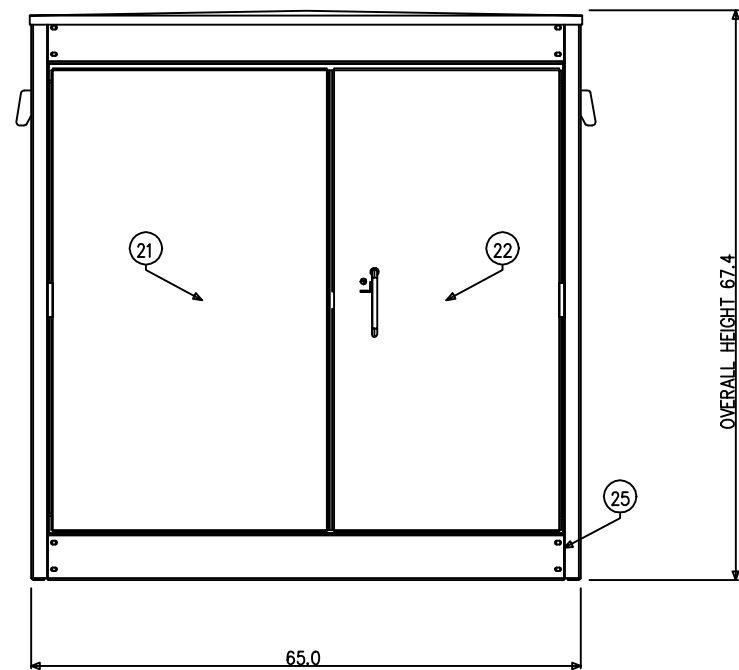
TOP VIEW



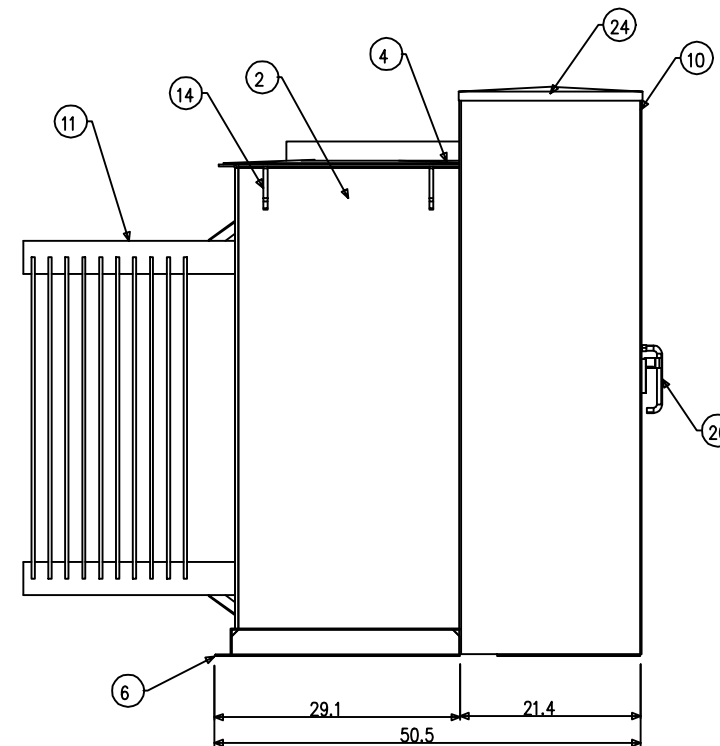
HV & LV DETAIL



MOUNTING PAD-SUGGESTED MINIMUM SIZE



FRONT VIEW



SIDE VIEW

COLOR: MUNSELL GREEN 7GY 3.291.5

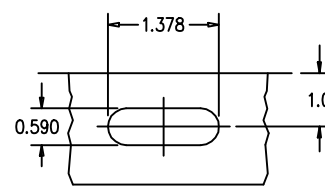
1	PRESSURE RELIEF VALVE, QUALITROL 202-032-01 50 SCFM
2	TANK (MILD STEEL)
3	1 INCH FILL PROVISION
4	TANK COVER
5	GROUND PADS
6	BASE (MILD STEEL)
7	LIVE FRONT PORCELAIN BUSHING WITH 3 HOLE BLADE 95KVBIL 200A
8	LIQUID LEVEL GAUGE
9	LV BUSHING 6 HOLE BLADE 30KVBIL 2200A
10	CABINET (MILD STEEL)
11	RADIATORS (MILD STEEL)
12	PRESSURE VACUUM GAUGE
13	1" DRAIN VALVE WITH 3/8" SAMPLER IN L.V.
14	LIFTING LUGS
15	TAP CHANGER HANDLE
16	ANODIZED ALUMINUM NAMEPLATE
17	THERMOMETER
18	HAND HOLE 8"x19"
19	REMOVABLE PARTITION
20	DOOR HANDLE WITH PROVISION FOR PADLOCK
21	HV DOOR W/PENTA HEAD BOLT
22	LV DOOR W/PENTA HEAD BOLT
23	ARRESTORS PROVISIONS
24	CABINET REMOVABLE HOOD
25	REMOVABLE SILL (MILD STEEL)

Note: Overall Dimensions are nominal with tolerance of +/- 0.5 all other dimensions have a tolerance of +/- 0.1

<http://www.prolecge.com>

TRANSFORMER WEIGHTS

CORE & COIL	3 233 LBS
TANK AND FITTINGS	1 653 LBS
251 GALLONS OF OIL	1 884 LBS
TOTAL WEIGHT	6 770 LBS



ANCHORING DETAIL

DESIGNED TO OPERATE BELOW 3300.0 FEET ABOVE SEA LEVEL

Draftman	AUDI
REV:	VCL
App:	VCL
Scale:	1:25
Dimensions in	inch
Date:	5/30/2011
Rev:	0

Customer:	H.V. ELECTRIC	REQ. NO. :
-----------	---------------	------------

Title: OUTLINE DRAWING  
1000 KVA, 3 PHASE, 60 HERTZ, 13200-480Y/277 VOLT  
65 oC, DELTA - WYE COOLING ONAN



Drawing No.  
REA63901B801



UNIT 17

UNIT

DANGER  
HIGH VOLTAGE  
ELECTRICITY  
DEATH

WARNING  
METALS MAY BE HOT