

TRANSFORMER DATA SHEET

DATE : 09/23/1999
 CUSTOMER : HVES
 CIRCUIT/LOCATION : HVES 15
 MANUFACTURER : Alstom
 TRANSFORMER TYPE : Pad Mount CLASS : OA
 S/N : PEI-1090
 THREE PHASE SINGLE PHASE : 60 HERTZ

VOLTAGE RATING: 2400Y/1386-480Y/277

KVA RATING: 2000 Continuous, Self Cooled
 Continuous, Forced Air

LV WINDING: ALUMINUM

HV WINDING: ALUMINUM

LV: 65°C rise, BIL: 30 kV

HV: 65°C rise, BIL: 45 kV

NAMEPLATE DATA

Core & Coils	4350
Case & Fittings	3959
Oil in Gallons	447/3301
Weight in Pounds	11610

Impedance volts : 5.74 % at rated volts at : 2000 KVA

TRANSFORMER TEST DATA

MEGGER TEST RESULTS

1 Minute

High-> Ground	3.32	M-Ohms, @	5	kV DC
Low -> Ground	3.38	M-Ohms, @	1	kV DC
High-> Low	2.42	M-Ohms, @	1	kV DC

POLARIZATION

INDEX

1.43
1.48
0.98

CAPACITANCE in

MICRO-FARAD

0.02
0.02
0.02

TRANSFORMER TTR TESTS

TAP (V)	CALC. TTR	PHASE 1	PHASE 2	PHASE 3
2520	5.250	5.231	5.230	5.231
2460	5.125	5.155	5.153	5.154
2400	5.000	4.999	5.000	5.000
2340	4.875	4.846	4.846	4.846
2280	4.750	4.769	4.770	4.756

COMMENTS

Tag 10525
 Date of manufacture: 8/1999
 Stored at Dave's Yard

TAG(S)

5.50

ALSTOM

KVA OA ° C RISE

HV BIL KV

LV BIL KV

PHASE Hz TRANSFORMER, % IZ AT BASE KVA RATING

HV LV COND. ELEMENT LBS. TOTAL WEIGHT LBS.

GAL AT LBS. LEVEL CHANGES INCH PER. 10° C.

FLUID LEVEL INCHES FROM TOP OF HAND HOLE AT 25° C.

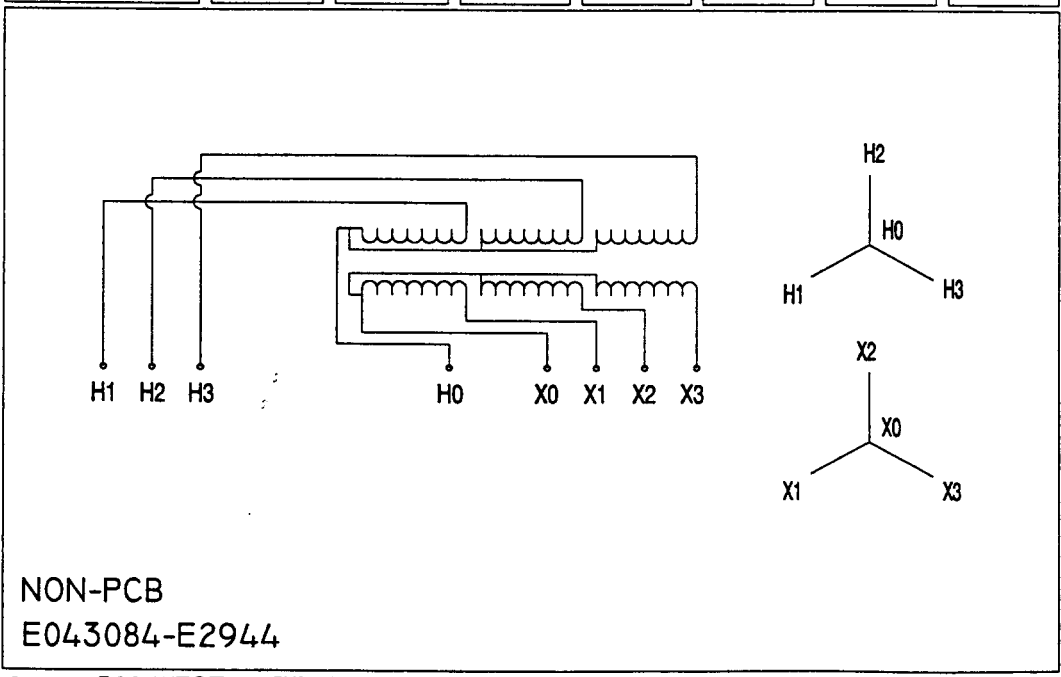
MAX TANK PRESS. POS NEG PSI

SERIAL # DATE OF MFG:

INSTRUCTION REFERENCE MANUAL IB9.210

TAPS	A	B	C	D	E		
<input type="text"/> VOLTS	<input type="text" value="2520"/>	<input type="text" value="2460"/>	<input type="text" value="2400"/>	<input type="text" value="2340"/>	<input type="text" value="2280"/>	<input type="text"/>	<input type="text"/>
<input type="text"/>	<input type="text"/>	<input type="text"/>	<input type="text"/>	<input type="text"/>	<input type="text"/>	<input type="text"/>	<input type="text"/>

8.00



NON-PCB
E043084-E2944

300 WEST ANTELOPE ROAD, MEDFORD OREGON 97503-1089 USA

5/32 DIA.

MATERIAL (.025) STAINLESS STEEL

REVISION

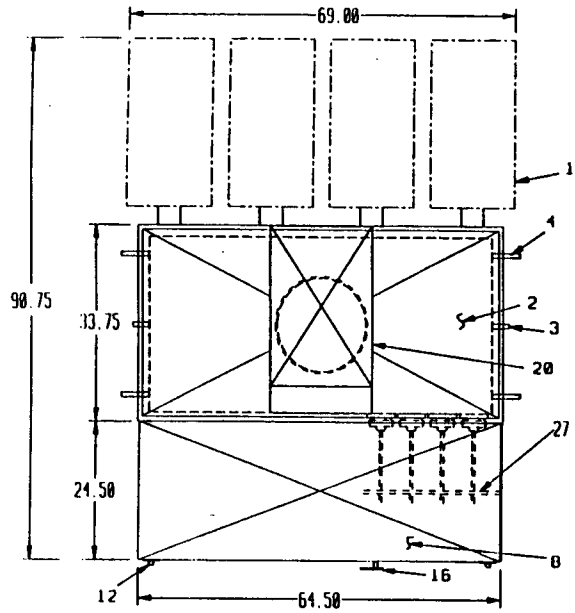
1	REV. #1: HV WAS 2400 DELTA, 8/24/99 KB
---	--

ALSTOM

300 WEST ANTELOPE ROAD
MEDFORD, OREGON 97503-1089 USA

NAMEPLATE PART # 52-637-0022-27-00

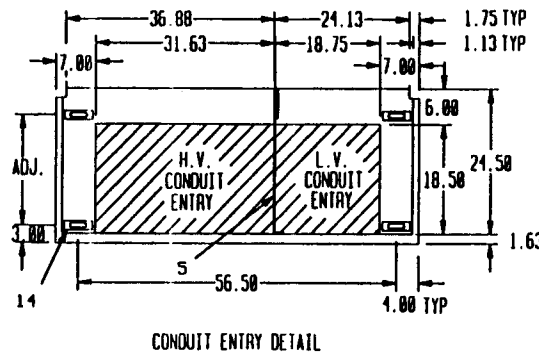
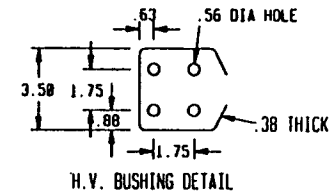
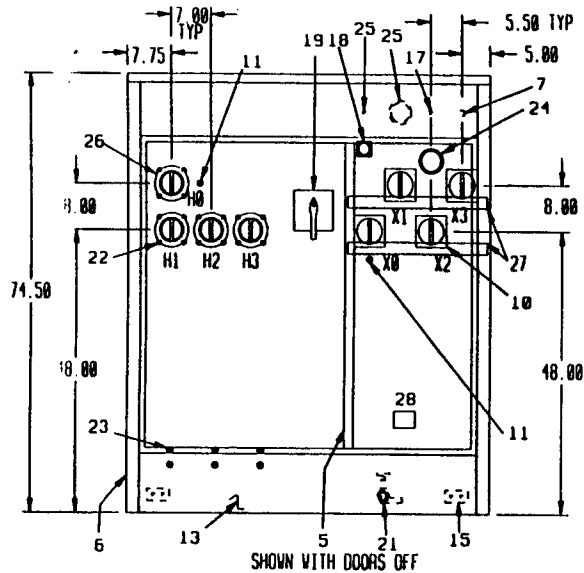
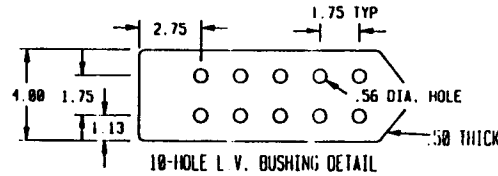
DRAWN BY: K. BRITT	REVISION # 0
APPROVED BY <i>MS</i>	DATE: 8/24/99
SCALE: 1" = 1"	



TOTAL WT.: 11610 LBS.
 TOTAL LIQ.: 142 GALS.
 TYPE LIQ.: OIL
 PAINT: PADMOUNT GREEN

CUST.: HIGH VOLTAGE ELECTRIC
 P.O.#: GM-990609
 P.N.: E043084-E2944
 KVA.: 2000
 H.V.: 2400Y/1386 (45 KV BIL)
 L.V.: 480Y/277 (30 KV BIL)
 TAPS: 2-2.5% FCAN & BN

1. COOLING PANELS (FLAT PANELS IN A COMMON HEADER)
2. TRANSFORMER TANK WITH WELDED COVER DOMED TO SHED WATER
3. JACK LUGS
4. LIFT LUGS FOR LIFTING TRANSFORMER COMPLETE WITH LIQUID
5. DIVIDER BETWEEN H.V. & L.V. COMPARTMENTS
6. H.V. & L.V. COMPARTMENT INTERNALLY BOLTED TO TANK FLANGE
7. H.V. DOOR IS SECURED BY BOLTS ACCESSIBLE AFTER L.V. DOOR IS OPENED
8. 1" FILL PLUG & UPPER FILTER PRESS CONNECTION
9. REMOVABLE COMPARTMENT COVER
10. CORROSION RESISTANT NAMEPLATE & CONNECTION DIAGRAM ON THE LV DOOR
11. L.V. BUSHING WITH SPADE TERMINAL (.56 DIA. HOLES ON A 1.75 SQUARE)
12. 1/2-13 TAPPED GROUND PAD
13. LIFT-OFF TYPE STAINLESS STEEL HINGES WITH 3/8 PINS
14. REMOVABLE FRONT SILL TO PERMIT SLIDING COMP'T OVER ENTRANCE CONDUIT
15. ADJUSTABLE MOUNTING PLATE WITH .81 X 3.00 SLOTS
16. NEMA GROUND PADS WITH (2) 1/2-13 TAPPED HOLES
17. PADLOCKABLE DOORHANDLE WITH 3-POINT LATCH AND CAPTIVE LOCKBOLT
18. PRESSURE RELIEF VALVE
19. LIQUID LEVEL GAUGE
20. DE-ENERGIZED TAPCHANGER
21. TAMPER PROOF HANDHOLE (16.00 DIA.)
22. 1" DRAIN VALVE & SAMPLER
23. H.V. BUSHINGS WITH 4 HOLE H SPADE CONNECTOR
24. PROVISIONS FOR ARRESTER MOUNTING TAPPED 1/2-13
25. DIAL TYPE THERMOMETER
26. PRESSURE VACUUM GAUGE
27. HD BUSHING WITH FULL BIL
28. L.V. BUSHING SUPPORT
29. NON-PCB LABEL
30. GAS SAMPLE VALVE (SCHRADER)



ALSTOM		2000 KVA PADMOUNT OUTLINE	
300 WEST ANTELOPE ROAD, HERFORD, OREGON 97503			
S32001	DRG. # 30840-1	65°C OA	SHEET 1 OF 1
BY K. BRILL	APPROVED C.E.	DATE 8/12/99	SCALE: 1" = 16" (TOLERANCE: ±.12)

REV. 1: REMOVED GROUND STRAP 8/10/99 C.S.

30840

UNIT 15 NON PCB
2000KVA WT = 12000 LBS
2400Y / 1386 / 480Y - 277
TAPS: 2520 / 2460 / 2400 /
2360 / 2280